

**STANDARD VERTICAL TUBE DAY GATE  
LEVER HANDLE KEYED OUTSIDE  
LEVER HANDLE THUMB LATCH INSIDE  
ADA COMPLIANT**

**CONSTRUCTION:**

FRAME 1-1/2" X 1/2" ALUMINUM BAR  
SOLID CENTER BAR 4" X 1-1/2" ALUM.  
FINISH IS BRUSHED ALUMINUM  
3/4" STAINLESS STEEL TUBE- BARS  
HINGE - DOUBLE HINGE PIN DESIGN,  
WITH BUSHINGS

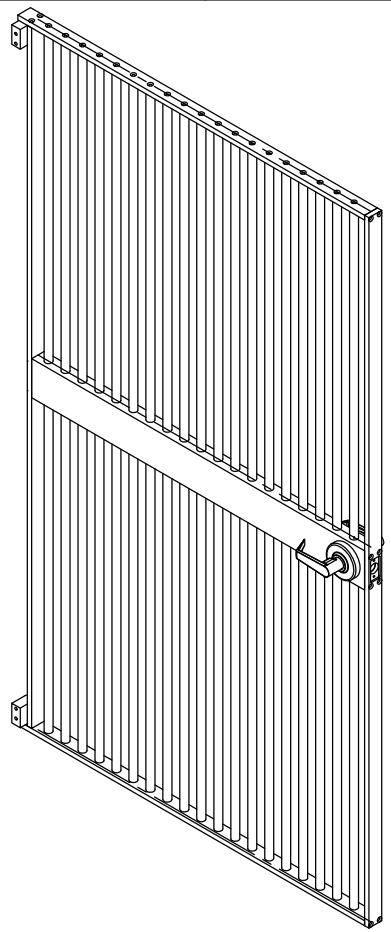
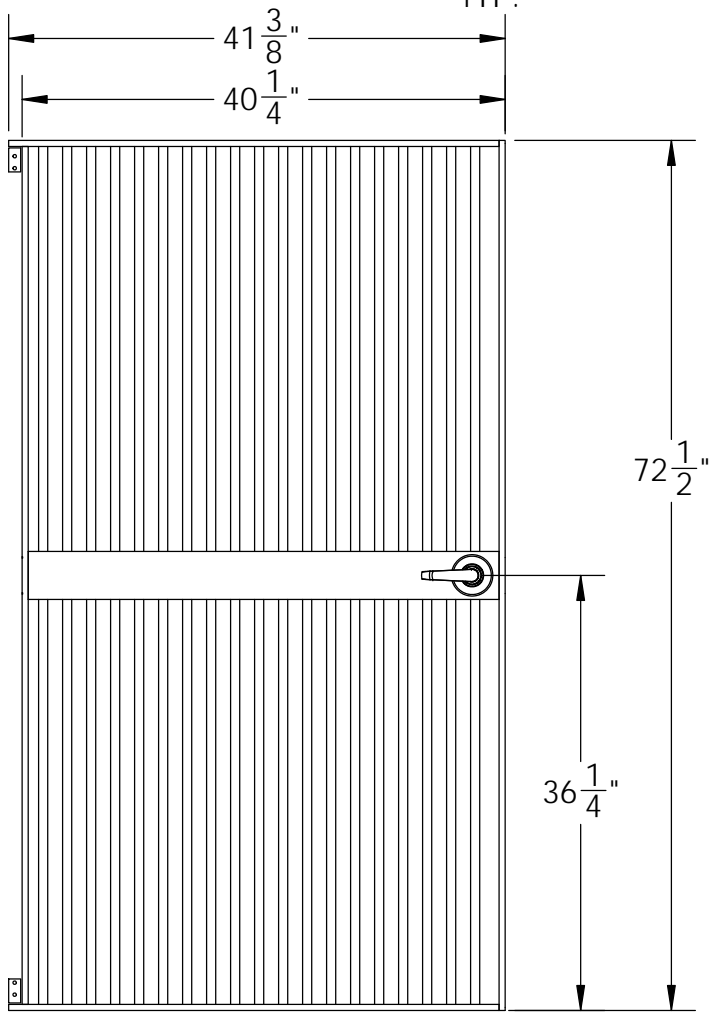
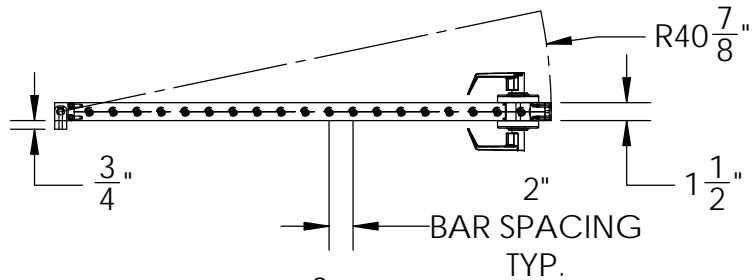
**OPTIONAL:**

MECHANICAL CLOSER  
DOOR STRIKE

APPROVED BY: \_\_\_\_\_

DATE: \_\_\_\_\_

VAULT STRUCTURES INC REVISIONS			
REV.	DESCRIPTION	DATE	APPROVED



**Vault Structures, Inc.**

3640 WORK DRIVE,  
FORT MYERS, FL 33916.  
Telephone: 239-332-3270  
Fax: 239-332-5593

PROPRIETARY AND CONFIDENTIAL  
THE INFORMATION CONTAINED IN  
THIS DRAWING IS THE SOLE  
PROPERTY OF VAULT STRUCTURES,  
INC. ANY REPRODUCTION IN PART  
OR AS A WHOLE WITHOUT THE  
WRITTEN PERMISSION OF VAULT  
STRUCTURES, INC IS PROHIBITED.

MATERIAL : \_\_\_\_\_  
GAUGE : \_\_\_\_\_  
GRAIN : \_\_\_\_\_  
BEND RAD. : \_\_\_\_\_  
K-FACTOR: \_\_\_\_\_

DWG. NO. VERTICAL TUBE DAY GATE-STD

TITLE:

DRAWN BY: SAC

MODEL BY: SAC

WEIGHT:89.89

SCALE: 1:16

DATE: 11/19/2014

SHEET 1 OF 1

REV

X