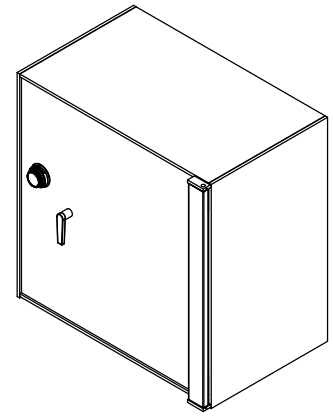
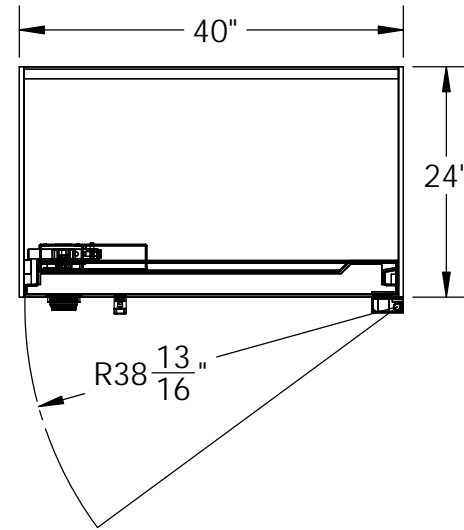
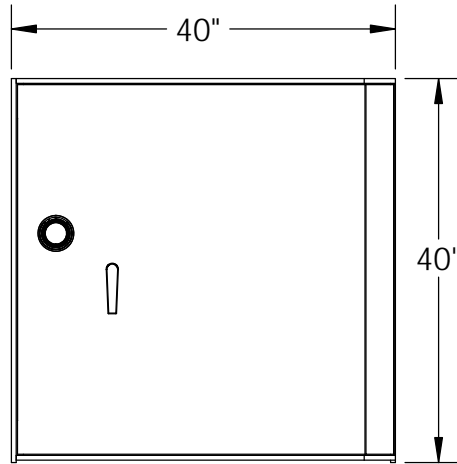


TL30-404024
 40"H X 40"W X 24"D
 1/2" STEEL BODY
 WITH 1" BACK STEEL PLATE
 PAINTED: BLACK
 S&G MECHANICAL COMBO LOCK

| VAULT STRUCTURES INC REVISIONS | | | |
|--------------------------------|-------------|------|----------|
| REV. | DESCRIPTION | DATE | APPROVED |

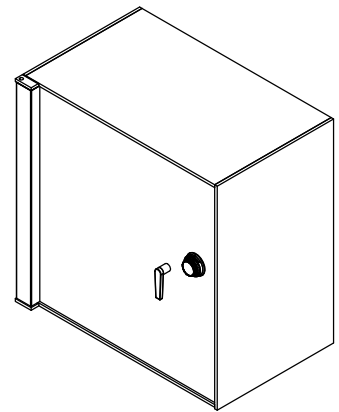
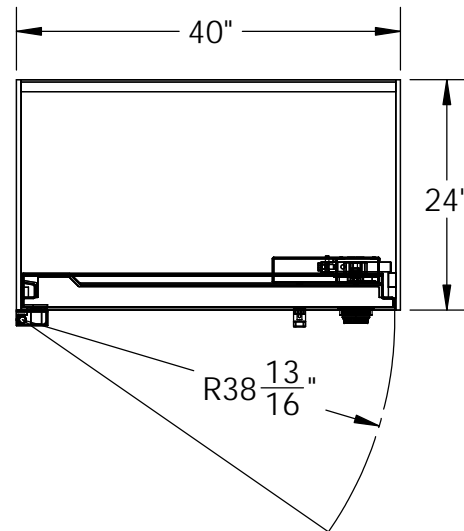
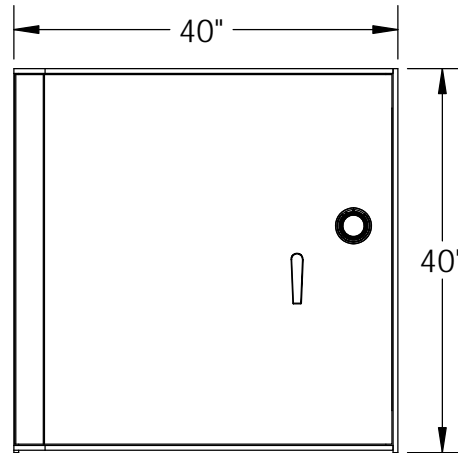
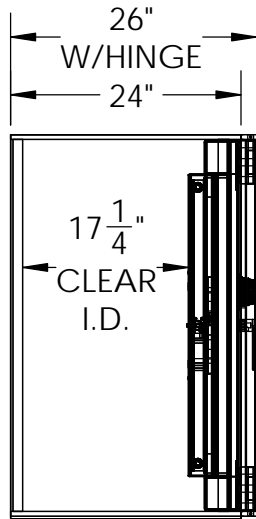


RIGHT SWING



APPROVED BY: _____

DATE: _____



LEFT SWING



Vault Structures, Inc.
 3640 WORK DRIVE,
 FORT MYERS, FL 33916,
 Telephone: 239-332-3270
 Fax: 239-332-5593

PROPRIETARY AND CONFIDENTIAL
 THE INFORMATION CONTAINED IN
 THIS DRAWING IS THE SOLE
 PROPERTY OF VAULT STRUCTURES,
 INC. ANY REPRODUCTION IN PART
 OR AS A WHOLE WITHOUT THE
 WRITTEN PERMISSION OF VAULT
 STRUCTURES, INC IS PROHIBITED.

MATERIAL : _____
 GAUGE : _____
 GRAIN : _____
 BEND RAD. : _____
 K-FACTOR: _____

DWG. NO. TL30-404024 HALF IN

TITLE: TBD

DRAWN BY: MA

MODEL BY:

WEIGHT: 1470.93

SCALE: 1:20

DATE: 3/25/2015

SHEET 1 OF 1

REV

X