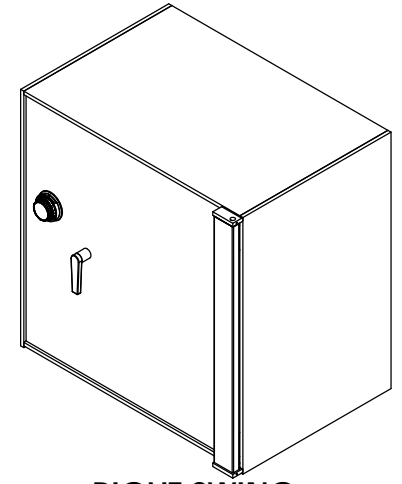
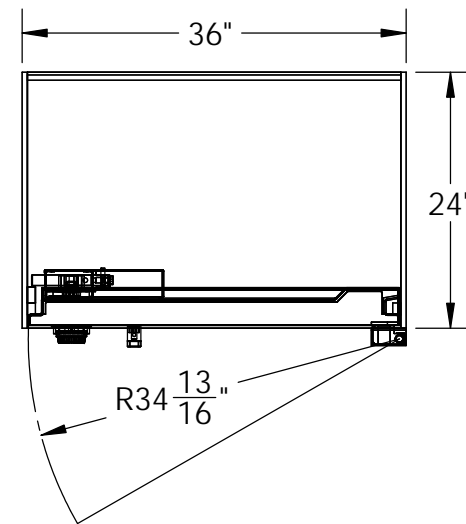
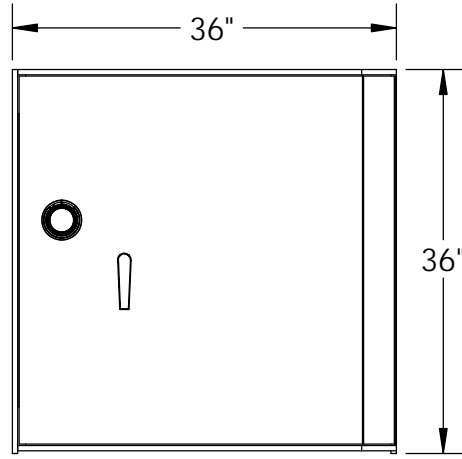


TL30-363624
 36"H X 36"W X 24"D
 1/2" STEEL BODY
 PAINTED: BLACK
 S&G MECHANICAL COMBO LOCK

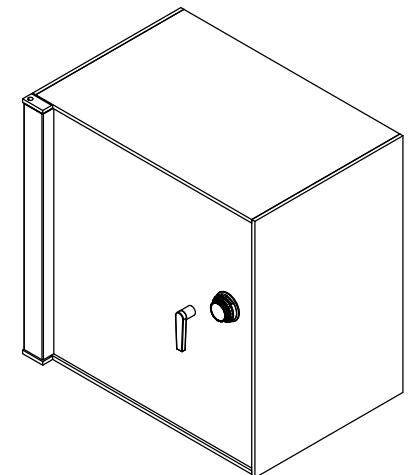
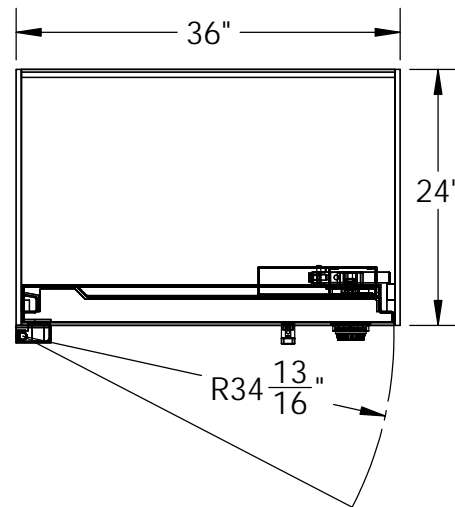
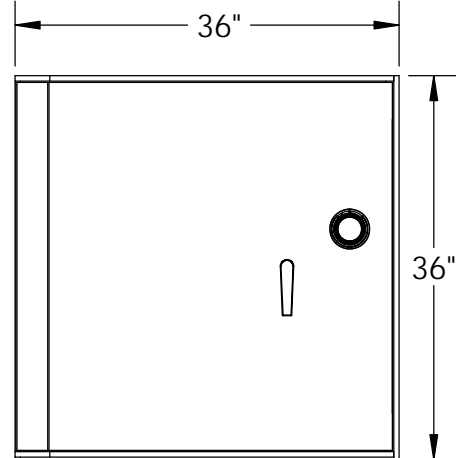
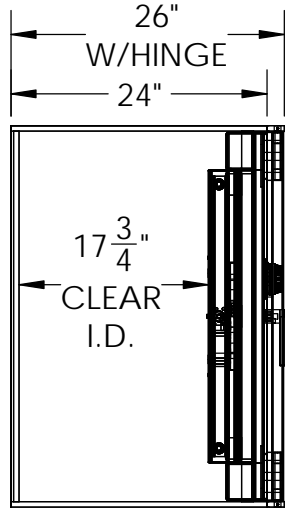
| VAULT STRUCTURES INC REVISIONS | | | |
|--------------------------------|-------------|------|----------|
| REV. | DESCRIPTION | DATE | APPROVED |



RIGHT SWING

APPROVED BY: _____

DATE: _____



LEFT SWING



Vault Structures, Inc.
 3640 WORK DRIVE,
 FORT MYERS, FL 33916
 Telephone: 239-332-3270
 Fax: 239-332-5593

PROPRIETARY AND CONFIDENTIAL
 THE INFORMATION CONTAINED IN THIS DRAWING IS THE SOLE PROPERTY OF VAULT STRUCTURES, INC. ANY REPRODUCTION IN PART OR AS A WHOLE WITHOUT THE WRITTEN PERMISSION OF VAULT STRUCTURES, INC IS PROHIBITED.

MATERIAL :
 GAUGE :
 GRAIN :
 BEND RAD. :
 K-FACTOR:

DWG. NO. TL30-363624 HALF IN
 TITLE: TBD

DRAWN BY: MA
 MODEL BY:

WEIGHT: 1075.02
 SCALE: 1:18

DATE: 3/25/2015
 SHEET 1 OF 1

REV
 X