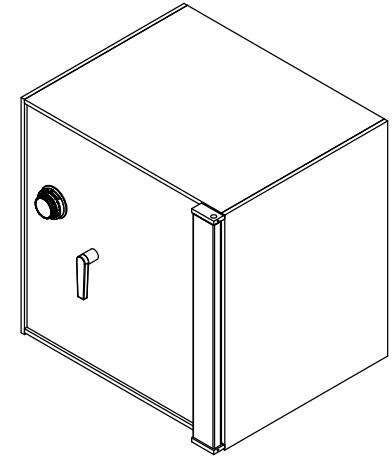
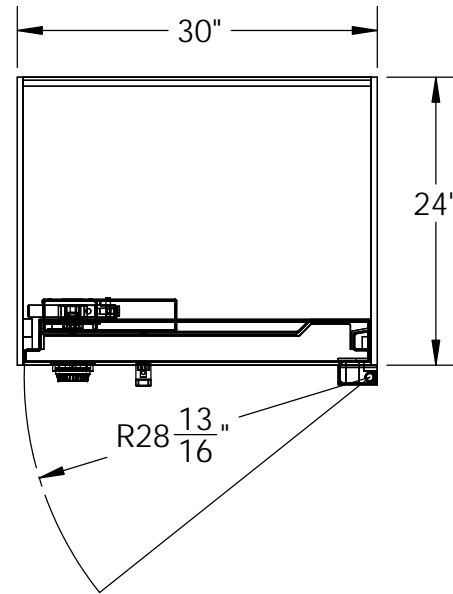
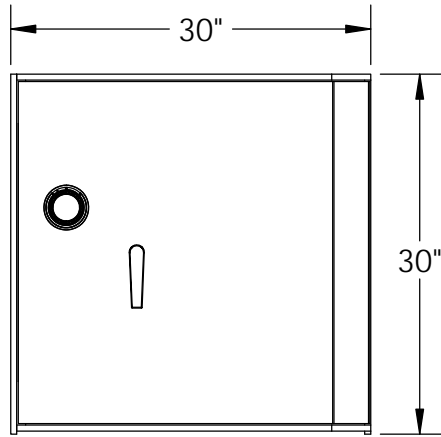


TL30-303024  
 30"H X 30"W X 24"D  
 1/2" STEEL BODY  
 PAINTED: BLACK  
 S&G MECHANICAL COMBO LOCK

VAULT STRUCTURES INC REVISIONS			
REV.	DESCRIPTION	DATE	APPROVED

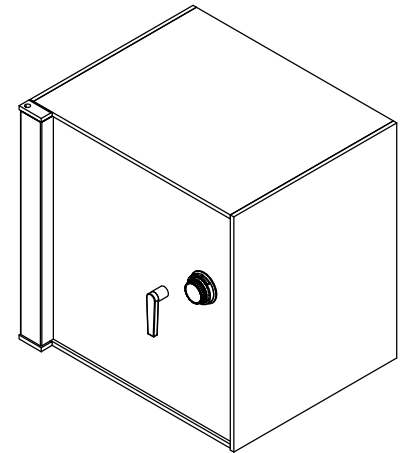
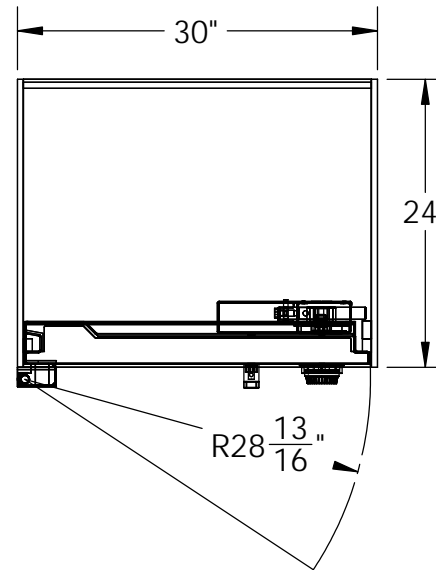
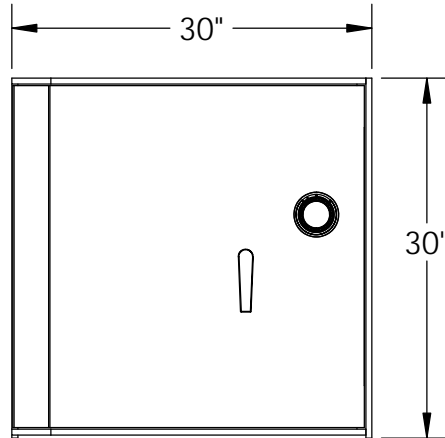
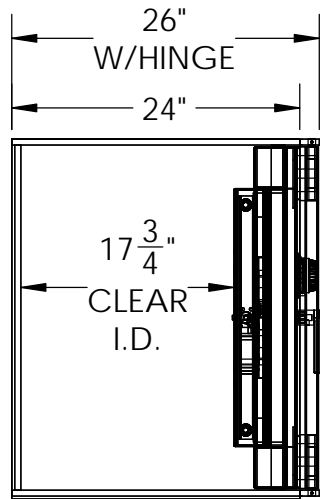


RIGHT SWING



APPROVED BY: \_\_\_\_\_

DATE: \_\_\_\_\_



LEFT SWING



**Vault Structures, Inc.**  
 3640 WORK DRIVE,  
 FORT MYERS, FL 33916,  
 Telephone: 239-332-3270  
 Fax: 239-332-5593

**PROPRIETARY AND CONFIDENTIAL**  
 THE INFORMATION CONTAINED IN  
 THIS DRAWING IS THE SOLE  
 PROPERTY OF VAULT STRUCTURES,  
 INC. ANY REPRODUCTION IN PART  
 OR AS A WHOLE WITHOUT THE  
 WRITTEN PERMISSION OF VAULT  
 STRUCTURES, INC IS PROHIBITED.

MATERIAL :  
 GAUGE :  
 GRAIN :  
 BEND RAD. :  
 K-FACTOR:

DWG. NO. TL30-303024 HALF IN

TITLE: TBD

DRAWN BY: MA

MODEL BY:

WEIGHT: 824.70

SCALE: 1:16

DATE: 3/25/2015

SHEET 1 OF 1

REV

X