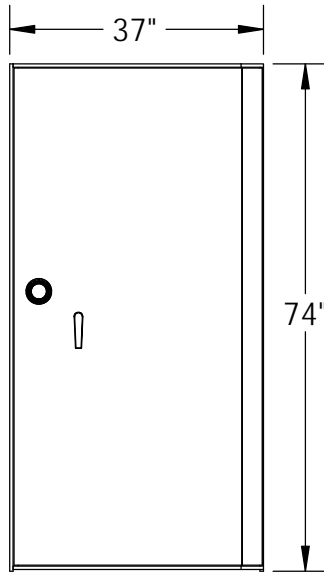


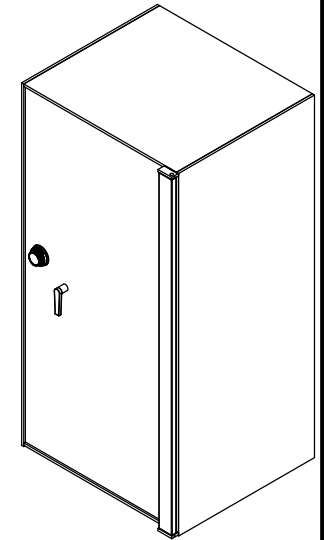
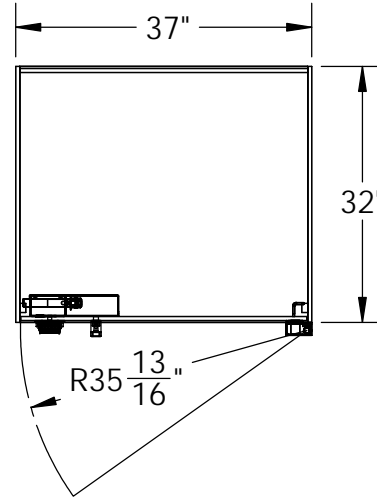
TL15-743732
 74"H X 37"W X 32"D
 1/2" STEEL BODY & DOOR
 PAINTED: BLACK
 S&G MECHANICAL COMBO LOCK

APPROVED BY: _____

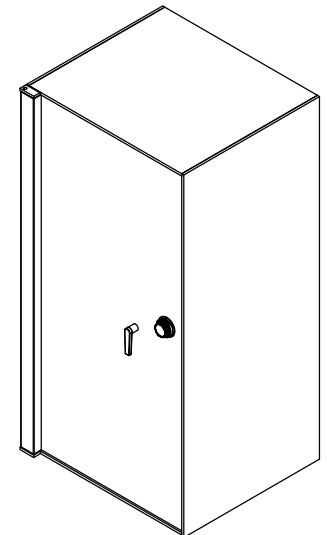
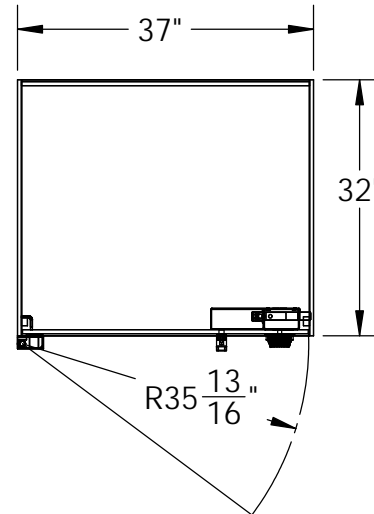
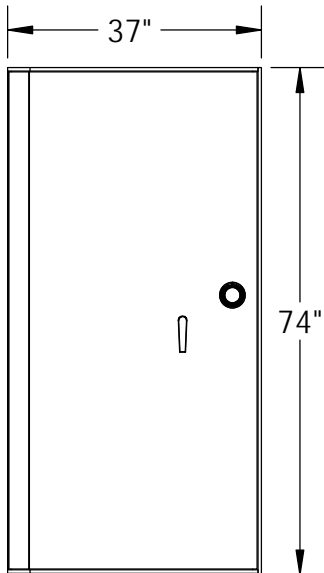
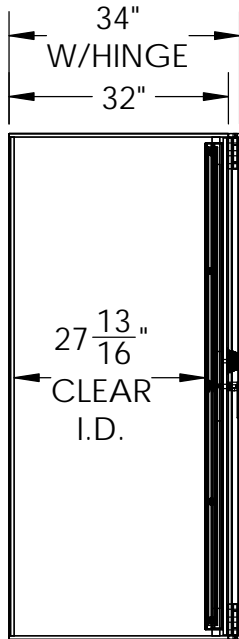
DATE: _____



VAULT STRUCTURES INC REVISIONS			
REV.	DESCRIPTION	DATE	APPROVED



RIGHT SWING



LEFT SWING



Vault Structures, Inc.
 3640 WORK DRIVE,
 FORT MYERS, FL 33916,
 Telephone: 239-332-3270
 Fax: 239-332-5593

PROPRIETARY AND CONFIDENTIAL
 THE INFORMATION CONTAINED IN
 THIS DRAWING IS THE SOLE
 PROPERTY OF VAULT STRUCTURES,
 INC. ANY REPRODUCTION IN PART
 OR AS A WHOLE WITHOUT THE
 WRITTEN PERMISSION OF VAULT
 STRUCTURES, INC IS PROHIBITED.

MATERIAL :
 GAUGE :
 GRAIN :
 BEND RAD. :
 K-FACTOR:

DWG. NO. TL15-743732 HALF IN

TITLE: TBD

DRAWN BY: MA

MODEL BY:

WEIGHT: 1842.79

SCALE: 1:24

DATE: 3/25/2015

SHEET 1 OF 1

REV

X