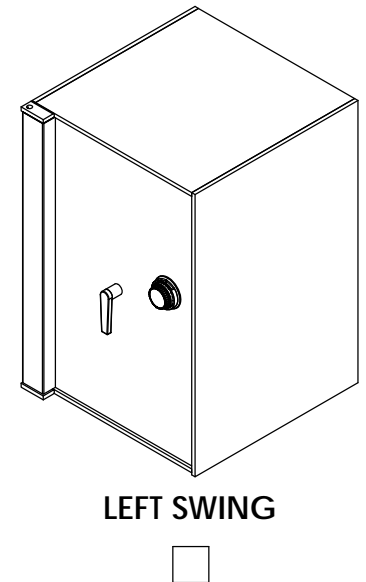
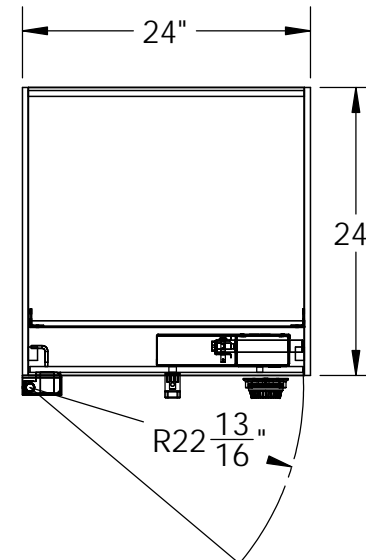
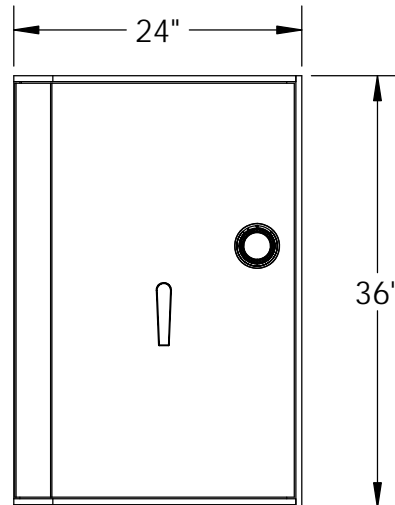
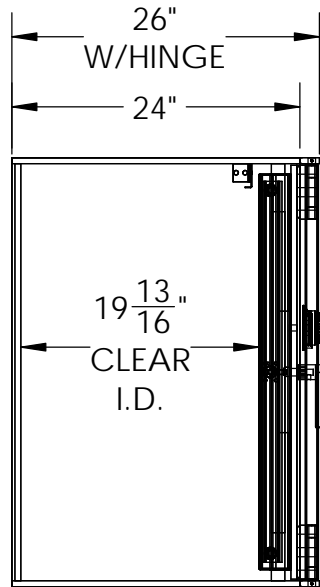
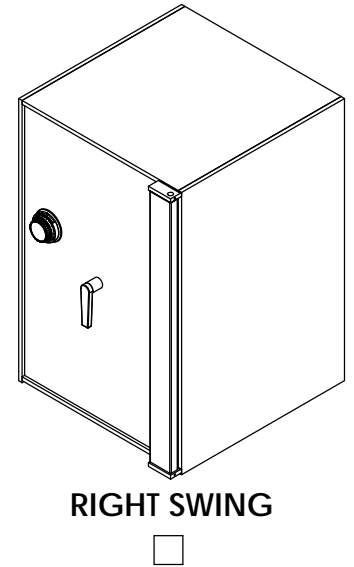
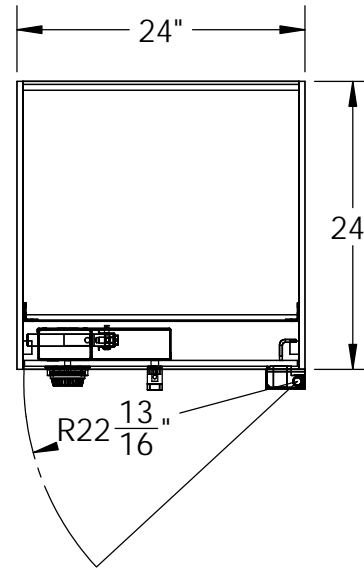
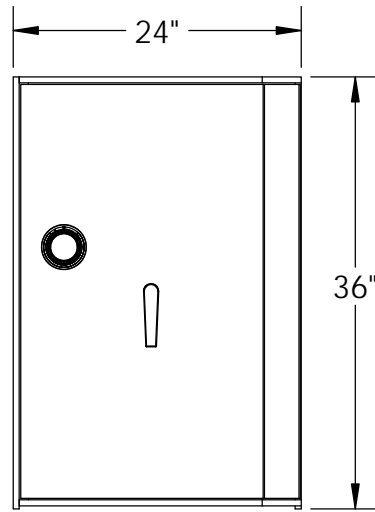


TL15-362424  
 36"H X 24"W X 24"D  
 1/2" STEEL BODY & DOOR  
 PAINTED: BLACK  
 S&G MECHANICAL COMBO LOCK

APPROVED BY: \_\_\_\_\_

DATE: \_\_\_\_\_

VAULT STRUCTURES INC REVISIONS			
REV.	DESCRIPTION	DATE	APPROVED



**Vault Structures, Inc.**  
 3640 WORK DRIVE,  
 FORT MYERS, FL 33916  
 Telephone: 239-332-3270  
 Fax: 239-332-5593

**PROPRIETARY AND CONFIDENTIAL**  
 THE INFORMATION CONTAINED IN THIS DRAWING IS THE SOLE PROPERTY OF VAULT STRUCTURES, INC. ANY REPRODUCTION IN PART OR AS A WHOLE WITHOUT THE WRITTEN PERMISSION OF VAULT STRUCTURES, INC IS PROHIBITED.

MATERIAL :  
 GAUGE :  
 GRAIN :  
 BEND RAD. :  
 K-FACTOR:

DWG. NO. TL15-362424 HALF IN

TITLE: TBD

DRAWN BY: MA

MODEL BY:

WEIGHT: 684.26

SCALE: 1:16

DATE: 3/24/2015

SHEET 1 OF 1

REV

X