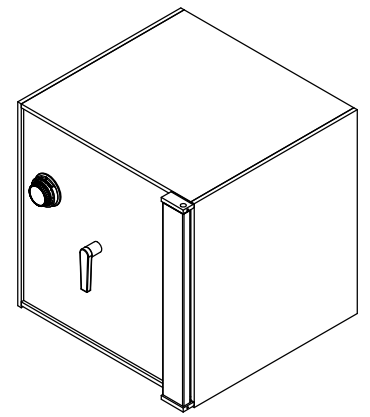
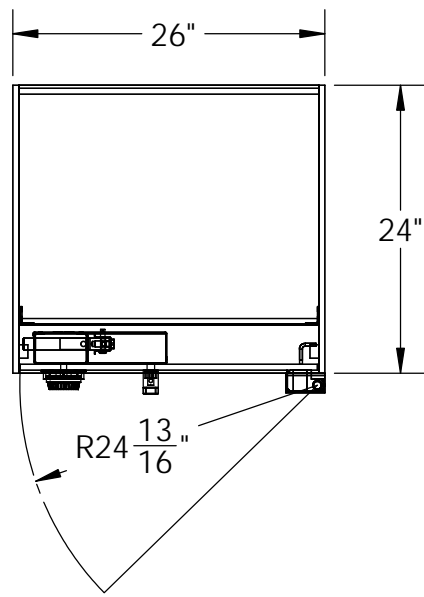
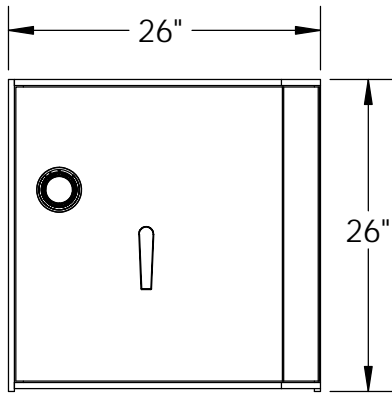


TL15-262624
 26"H X 26"W X 24"D
 1/2" STEEL BODY & DOOR
 PAINTED: BLACK
 S&G MECHANICAL COMBO LOCK

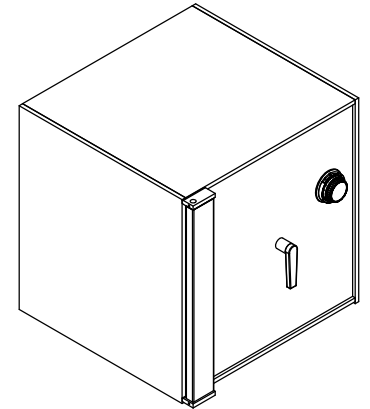
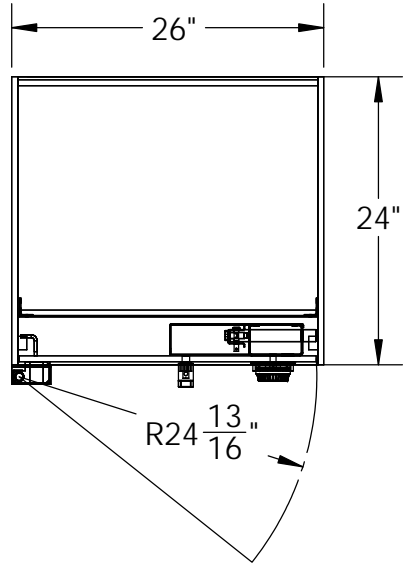
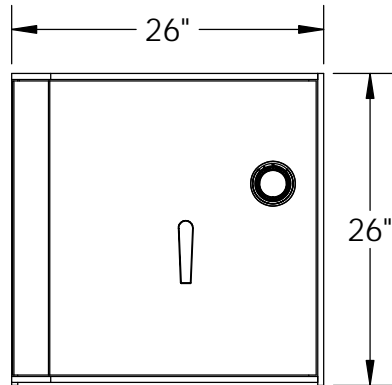
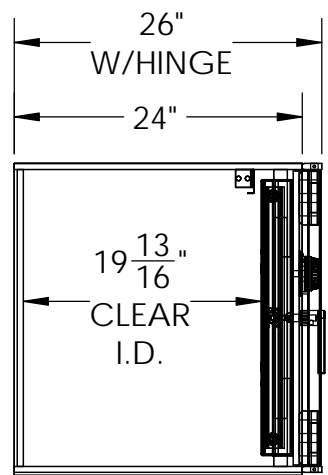
APPROVED BY: _____

DATE: _____

VAULT STRUCTURES INC REVISIONS			
REV.	DESCRIPTION	DATE	APPROVED



RIGHT SWING



LEFT SWING



Vault Structures, Inc.
 3640 WORK DRIVE,
 FORT MYERS, FL 33916
 Telephone: 239-332-3270
 Fax: 239-332-5593

PROPRIETARY AND CONFIDENTIAL
 THE INFORMATION CONTAINED IN THIS DRAWING IS THE SOLE PROPERTY OF VAULT STRUCTURES, INC. ANY REPRODUCTION IN PART OR AS A WHOLE WITHOUT THE WRITTEN PERMISSION OF VAULT STRUCTURES, INC IS PROHIBITED.

MATERIAL :
 GAUGE :
 GRAIN :
 BEND RAD. :
 K-FACTOR:

DWG. NO. TL15-262624 HALF IN
 TITLE: TBD

DRAWN BY: MA
 MODEL BY:

WEIGHT: 565.60
 SCALE: 1:16

DATE: 3/24/2015
 SHEET 1 OF 1

REV
 X