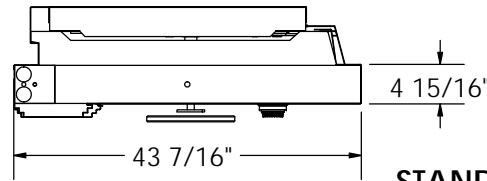
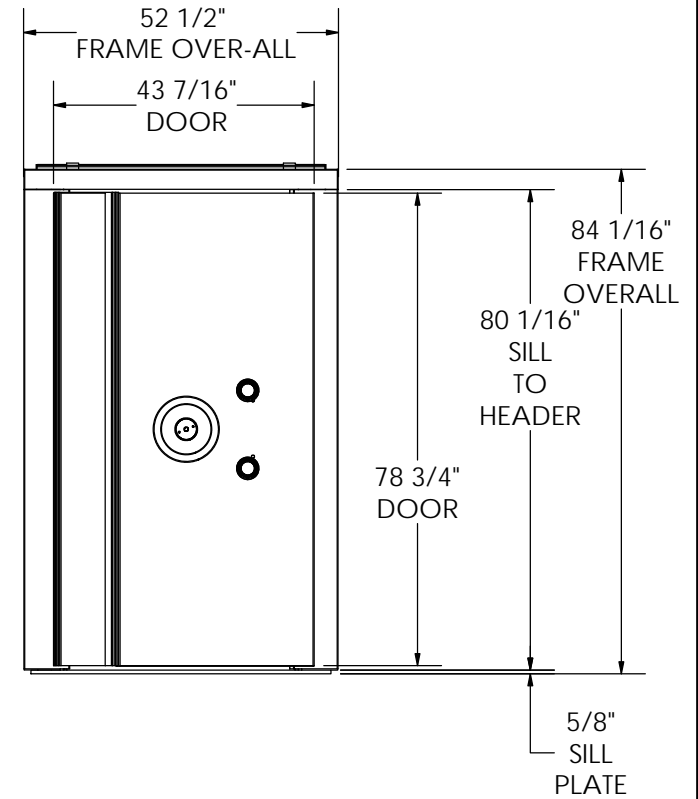
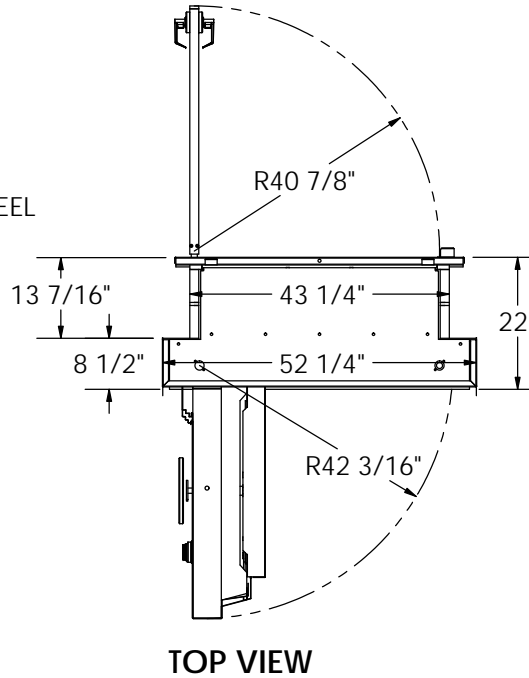
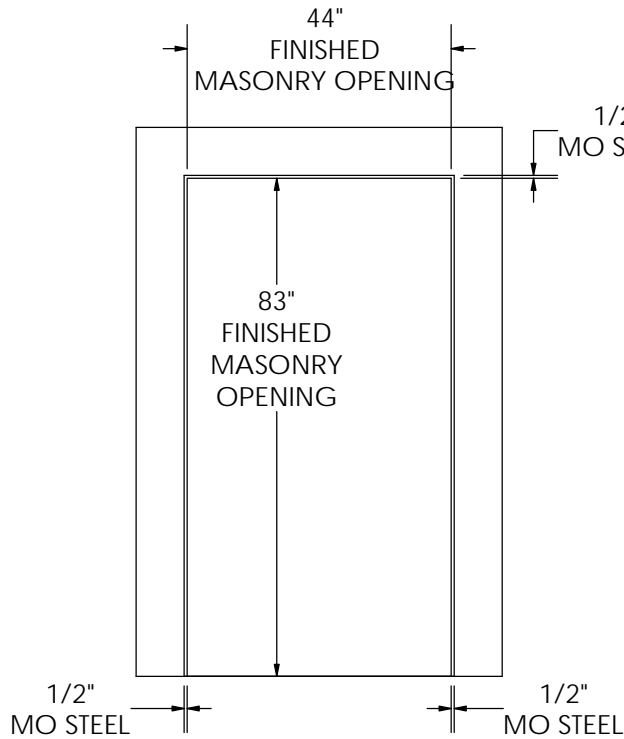


VAULT STRUCTURES INC REVISIONS			
REV.	DESCRIPTION	DATE	APPROVED



DOOR EQUIPPED WITH:
 DAYLOCK FEATURE
 TWO U.L. APPROVED 2M COMBO LOCKS
 THREE MECHANICAL MOVEMENT TIME LOCKS
 RATE OF RISE THERMOSTAT
 ALARM CONTACT ON LOCKING BAR
 EMERGENCY VENTILATOR WITH EMERGENCY PASS THRU
 STEPPED VENTILATOR COVER PANEL
 ANTI SKID TRHEAD THRESHOLD
 STORAGE AREA FOR MANUALS

STANDARD VSI LEFT SWING VAULT DOOR CLASS 1
 CLEAR OPENING 78"H X 37"W
 FINISHED MASONRY OPENING 83"H X 44"W

SL. NO	DOOR TYPE	QTY	DOOR SWING
01	D1	1	LHS



Vault Structures, Inc.
 3640 WORK DRIVE,
 FORT MYERS, FL 33916,
 Telephone: 239-332-3270
 Fax: 239-332-5593

PROPRIETARY AND CONFIDENTIAL
 THE INFORMATION CONTAINED IN
 THIS DRAWING IS THE SOLE
 PROPERTY OF VAULT STRUCTURES,
 INC. ANY REPRODUCTION IN PART
 OR AS A WHOLE WITHOUT THE
 WRITTEN PERMISSION OF VAULT
 STRUCTURES, INC IS PROHIBITED.

MATERIAL :
 GAUGE :
 GRAIN :
 BEND RAD. :
 K-FACTOR:

DWG. NO. THOR III LS DOOR TO
 FRAME SIZE
 TITLE: LEFT SWING THOR III DOOR

DRAWN BY: SAC WEIGHT: DATE: 10/23/2013 REV
 MODEL BY: SAC SCALE: 1:32 SHEET 1 OF 1 X