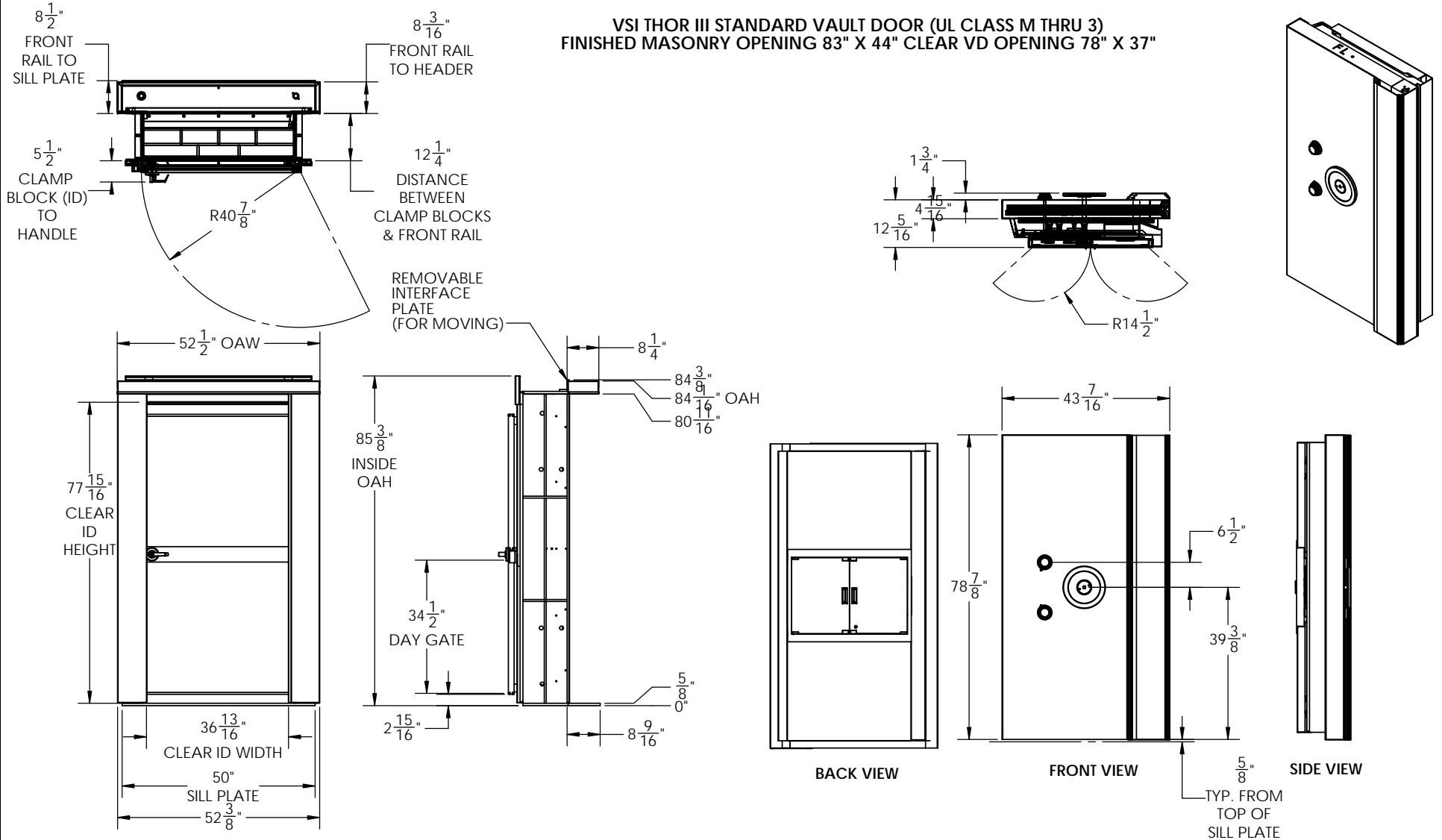


VSI THOR III STANDARD VAULT DOOR (UL CLASS M THRU 3)  
 FINISHED MASONRY OPENING 83" X 44" CLEAR VD OPENING 78" X 37"



ALL DIMENSIONS ARE APPROXIMATE

	<b>Vault Structures, Inc.</b> 3640 WORK DRIVE FORT MYERS, FL 33916 Telephone: 239-332-3270 Fax: 239-332-5593	PROPRIETARY AND CONFIDENTIAL THE INFORMATION CONTAINED IN THIS DRAWING IS THE SOLE PROPERTY OF VAULT STRUCTURES, INC. ANY REPRODUCTION OR PARTIAL OR AS A WHOLE WITHOUT THE WRITTEN PERMISSION OF VAULT STRUCTURES, INC. IS PROHIBITED.	MATERIAL: GAUGE: GRAIN: BEND RAD.: K-FACTOR:	DWG. NO.	DRAWN BY: SAC DATE: 2/14/2013 WEIGHT:	REV
		TITLE: <b>THOR III RS 2010</b>	MODEL BY:	SCALE: 1:24 SHEET 2 OF 2	X	

© Vault Door 2007