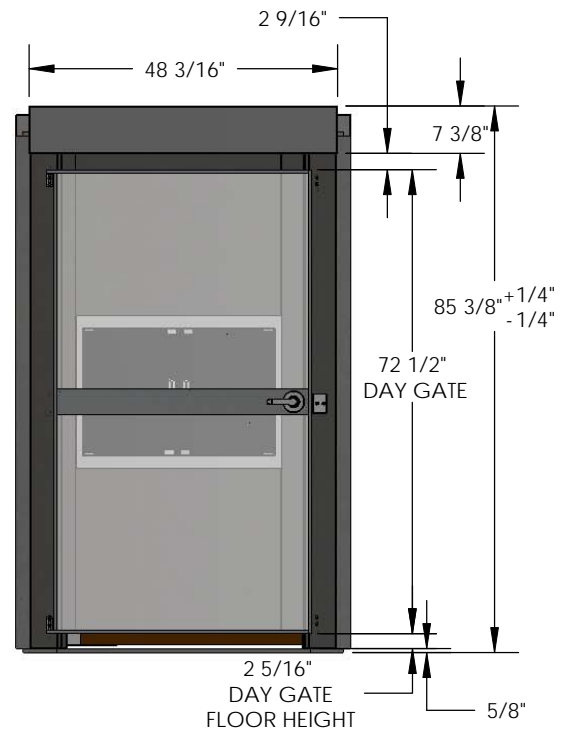
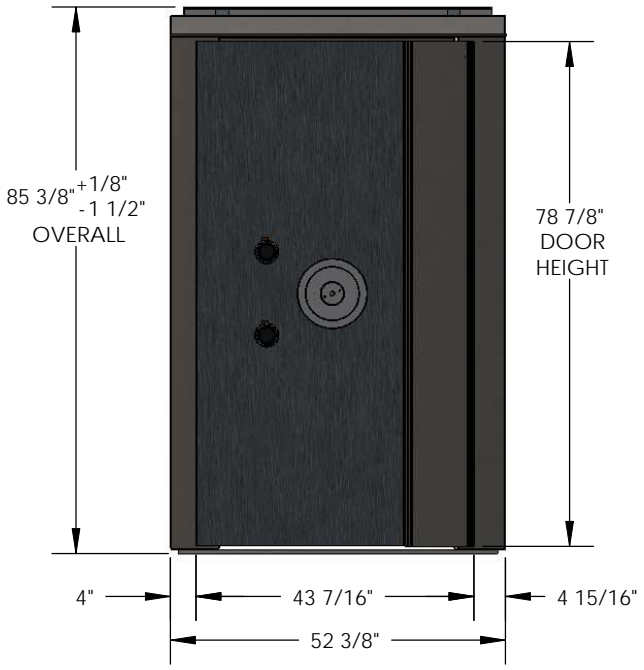
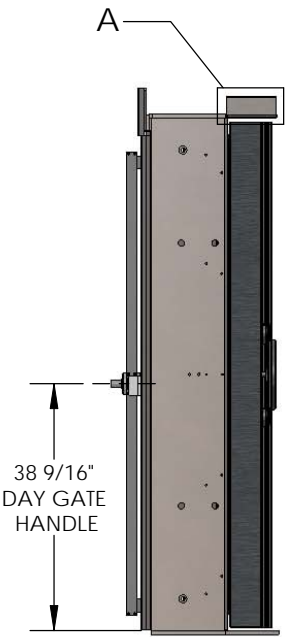
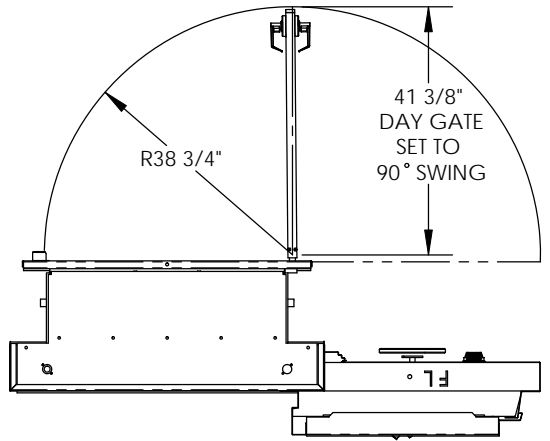
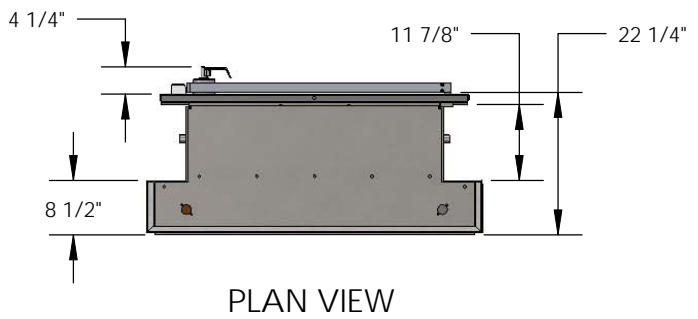
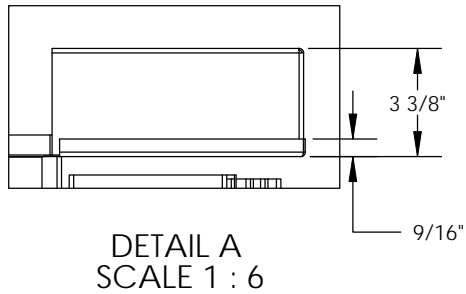


REVISIONS				
ZONE	REV.	DESCRIPTION	DATE	APPROVED



LEFT ELEVATION

FRONT ELEVATION

REAR ELEVATION SHOWING DAYGATE

PERSPECTIVE VIEW



Vault Structures, Inc.
3640 WORK DRIVE,
FORT MYERS, FL 33916.
Telephone: 239-332-3270
Fax: 239-332-5593

PROPRIETARY AND CONFIDENTIAL
THE INFORMATION CONTAINED IN
THIS DRAWING IS THE SOLE
PROPERTY OF VAULT STRUCTURES,
INC. ANY REPRODUCTION IN PART
OR AS A WHOLE WITHOUT THE
WRITTEN PERMISSION OF VAULT
STRUCTURES, INC IS PROHIBITED.

MATERIAL :
GAUGE :
GRAIN :
BEND RAD. :
K-FACTOR:

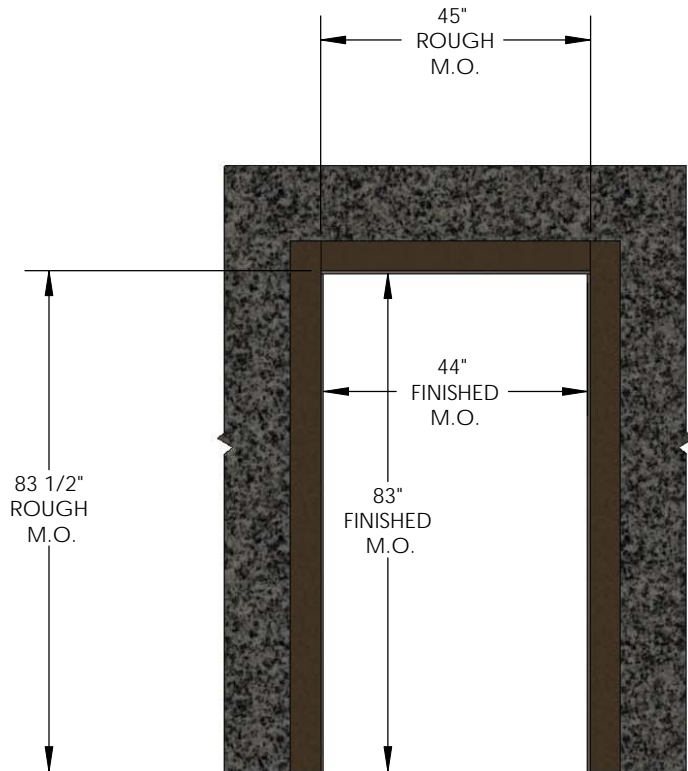
DWG. NO. GEN. VAULT DOOR ELEVATIONS
TITLE: GEN. VAULT DOOR ELEVATIONS

DRAWN BY: RS
MODEL BY: SAC

WEIGHT:3669.76
SCALE: 1:30

DATE: 12/1/2010
SHEET 1 OF 2

REV
X



Vault Structures, Inc.

3640 WORK DRIVE,
FORT MYERS, FL 33916.
Telephone: 239-332-3270
Fax: 239-332-5593

PROPRIETARY AND CONFIDENTIAL
THE INFORMATION CONTAINED IN
THIS DRAWING IS THE SOLE
PROPERTY OF VAULT STRUCTURES,
INC. ANY REPRODUCTION IN PART
OR AS A WHOLE WITHOUT THE
WRITTEN PERMISSION OF VAULT
STRUCTURES, INC IS PROHIBITED.

MATERIAL : _____
GAUGE : _____
GRAIN : _____
BEND RAD. : _____
K-FACTOR: _____

DWG. NO. GEN. VAULT DOOR ELEVATIONS

TITLE:

DRAWN BY: XXX

MODEL BY:

WEIGHT:

SCALE: 1:32

DATE: 12/1/2010

SHEET 2 OF 2

REV

X