

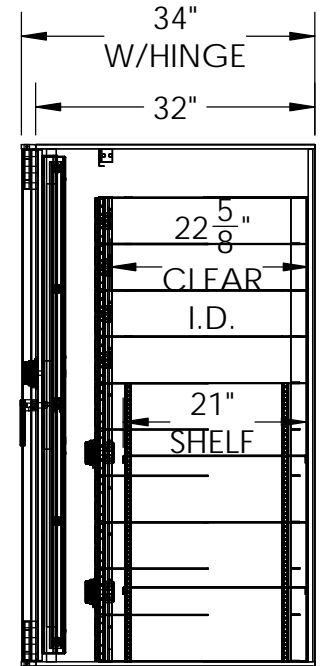
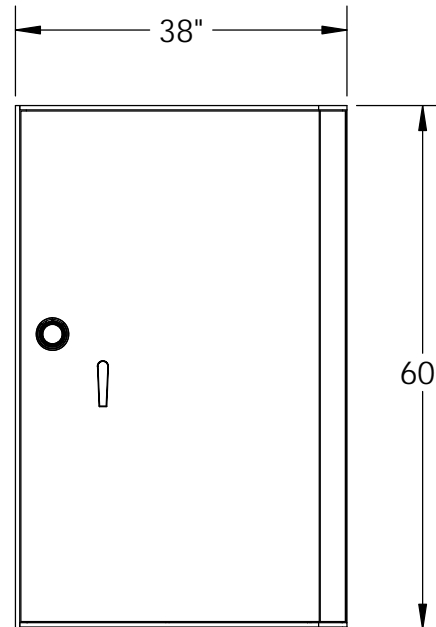
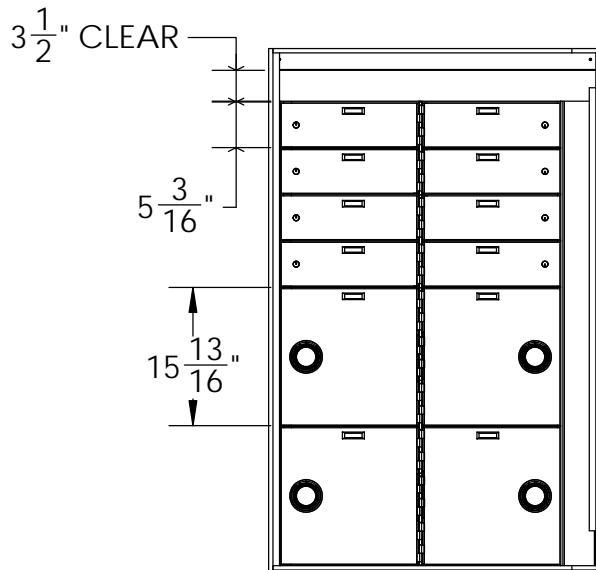
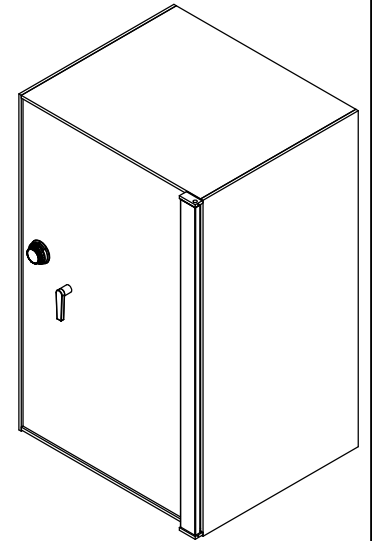
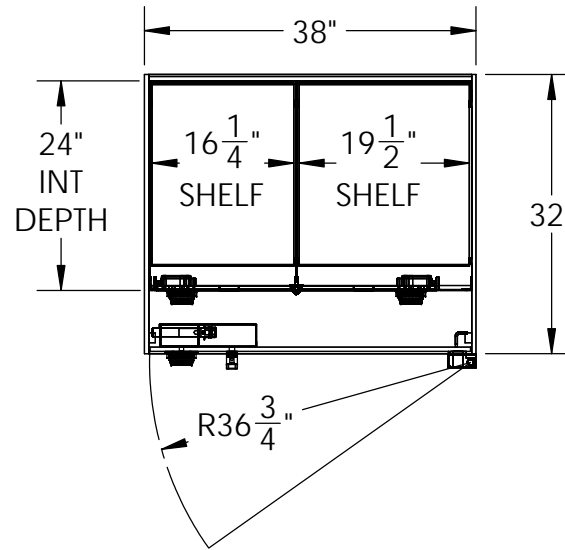
TL15-603832 SAFE WITH INTERIOR
60"H X 38"W X 32"D
1/2" STEEL BODY & DOOR
PAINTED: BLACK
RIGHT SWING
S&G MECHANICAL COMBO LOCK

BUILT-IN INTERIOR
24" DEEP
PAINTED: BLACK
GOLD HINGES
EIGHT (8) 5" X 16" SST CLADDED ALUM DOORS
SINGLE NOSE SDB LOCKS
FOUR (4) 15" X 16" SST CLADDED ALUM DOORS
S&G MECHANICAL COMBO LOCKS
FOUR (4) ADJUSTABLE SHELVES
(ONE PER OPENING)

APPROVED BY: _____

DATE: _____

VAULT STRUCTURES INC REVISIONS			
REV.	DESCRIPTION	DATE	APPROVED



Vault Structures, Inc.
 3640 WORK DRIVE,
 FORT MYERS, FL 33916,
 Telephone: 239-332-3270
 Fax: 239-332-5593

PROPRIETARY AND CONFIDENTIAL
 THE INFORMATION CONTAINED IN THIS DRAWING IS THE SOLE PROPERTY OF VAULT STRUCTURES, INC. ANY REPRODUCTION IN PART OR AS A WHOLE WITHOUT THE WRITTEN PERMISSION OF VAULT STRUCTURES, INC IS PROHIBITED.

MATERIAL :
 GAUGE :
 GRAIN :
 BEND RAD. :
 K-FACTOR:

DWG. NO. TL15-603832 HALF IN-RS
 TITLE: TBD

DRAWN BY: MA
 MODEL BY:

WEIGHT: 1978.20
 SCALE: 1:22

DATE: 3/26/2015
 SHEET 1 OF 1

REV
 X