

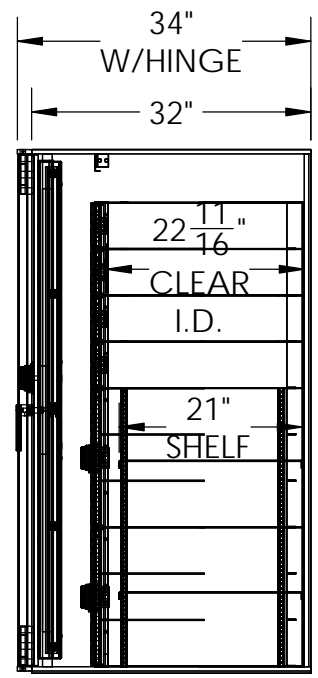
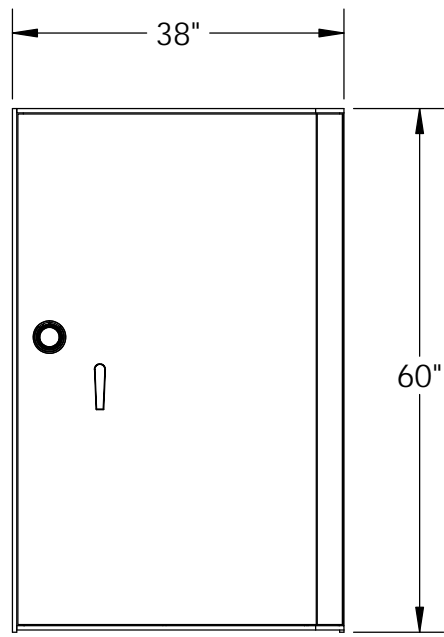
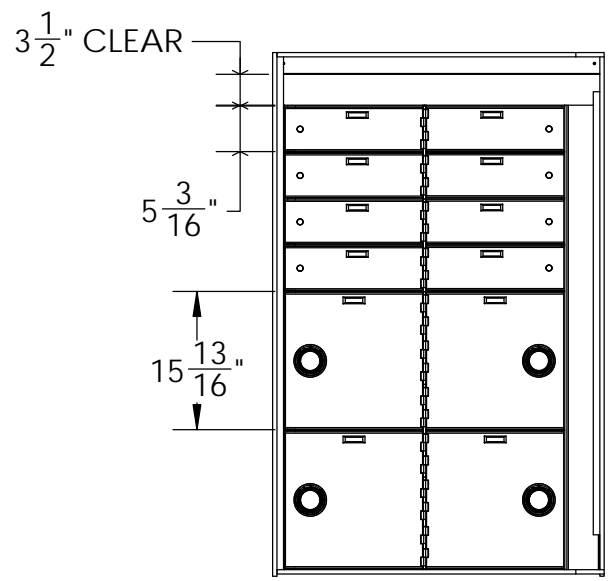
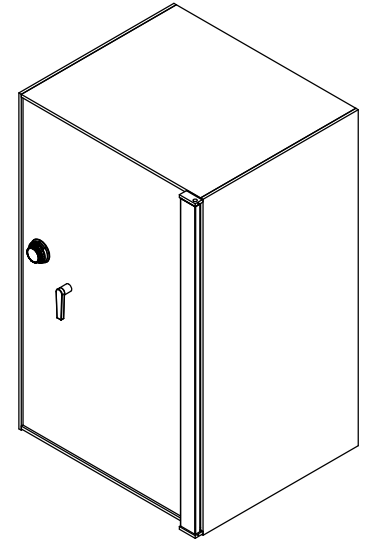
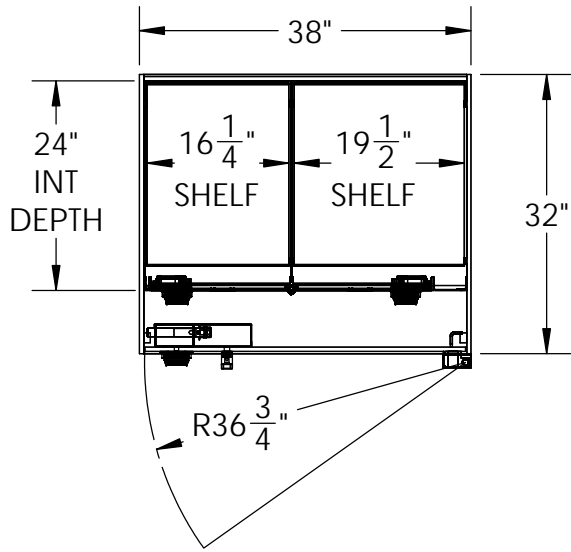
**TL15-603832 SAFE WITH INTERIOR**  
**60"H X 38"W X 32"D**  
**1/2" STEEL BODY & DOOR**  
**PAINTED: BLACK**  
**RIGHT SWING**  
**S&G MECHANICAL COMBO LOCK**

**BUILT-IN INTERIOR**  
**24" DEEP**  
**PAINTED: BLACK**  
**GOLD HINGES**  
**EIGHT (8) 5" X 16" STEEL PAINTED DOORS**  
**SINGLE NOSE SDB LOCKS**  
**FOUR (4) 15" X 16" STEEL PAINTED DOORS**  
**S&G MECHANICAL COMBO LOCKS**  
**FOUR (4) ADJUSTABLE SHELVES**  
**(ONE PER OPENING)**

**APPROVED BY:** \_\_\_\_\_

**DATE:** \_\_\_\_\_

VAULT STRUCTURES INC REVISIONS			
REV.	DESCRIPTION	DATE	APPROVED



**Vault Structures, Inc.**  
 3640 WORK DRIVE,  
 FORT MYERS, FL 33916,  
 Telephone: 239-332-3270  
 Fax: 239-332-5593

PROPRIETARY AND CONFIDENTIAL  
 THE INFORMATION CONTAINED IN  
 THIS DRAWING IS THE SOLE  
 PROPERTY OF VAULT STRUCTURES,  
 INC. ANY REPRODUCTION IN PART  
 OR AS A WHOLE WITHOUT THE  
 WRITTEN PERMISSION OF VAULT  
 STRUCTURES, INC IS PROHIBITED.

MATERIAL :  
 GAUGE :  
 GRAIN :  
 BEND RAD. :  
 K-FACTOR:

DWG. NO. TL15-603832 HALF IN-RS  
 TITLE: TBD

DRAWN BY: MA  
 MODEL BY:

WEIGHT: 1977.57  
 SCALE: 1:22

DATE: 3/26/2015  
 SHEET 1 OF 1

REV  
**X**