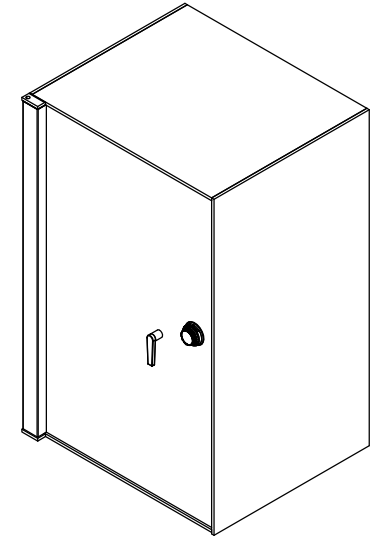
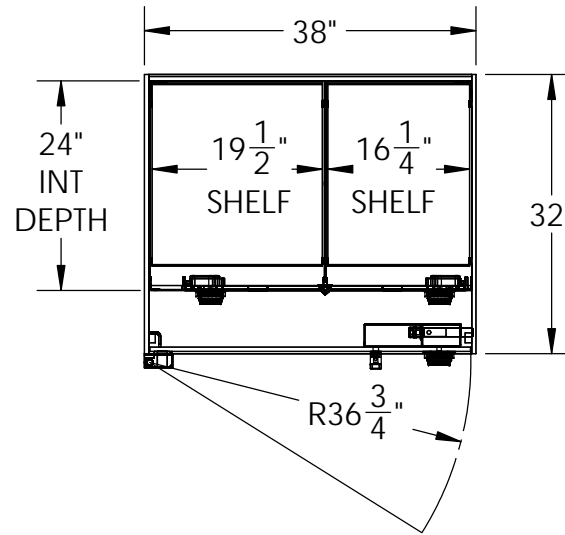


TL15-603832 SAFE WITH INTERIOR
 60"H X 38"W X 32"D
 1/2" STEEL BODY & DOOR
 PAINTED: BLACK
 LEFT SWING
 S&G MECHANICAL COMBO LOCK

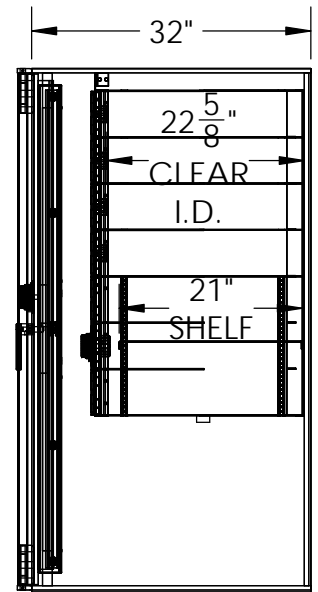
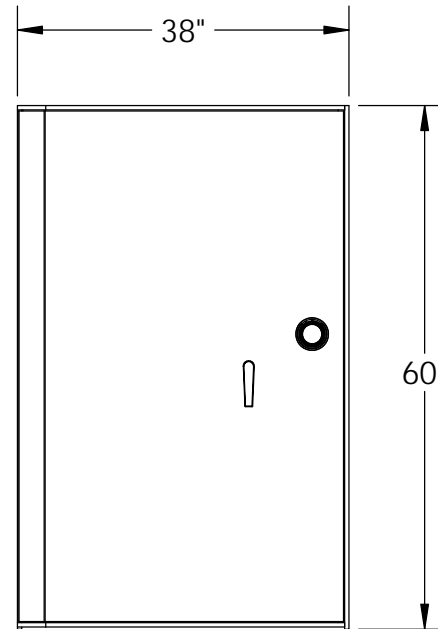
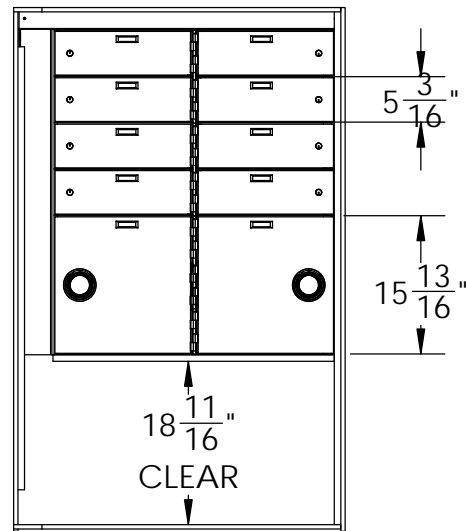
BUILT-IN INTERIOR
 24" DEEP
 PAINTED: BLACK
 GOLD HINGES
 EIGHT (8) 5" X 16" SST CLADDED ALUM DOORS
 SINGLE NOSE SDB LOCKS
 TWO (2) 15" X 16" SST CLADDED ALUM DOORS
 S&G MECHANICAL COMBO LOCKS
 TWO (2) ADJUSTABLE SHELVES
 (ONE PER OPENING)


VAULT STRUCTURES INC REVISIONS			
REV.	DESCRIPTION	DATE	APPROVED



APPROVED BY: _____

DATE: _____



	Vault Structures, Inc. 3640 WORK DRIVE, FORT MYERS, FL 33916, Telephone: 239-332-3270 Fax: 239-332-5593	PROPRIETARY AND CONFIDENTIAL <small>THE INFORMATION CONTAINED IN THIS DRAWING IS THE SOLE PROPERTY OF VAULT STRUCTURES, INC. ANY REPRODUCTION IN PART OR AS A WHOLE WITHOUT THE WRITTEN PERMISSION OF VAULT STRUCTURES, INC IS PROHIBITED.</small>	MATERIAL : _____ GAUGE : _____ GRAIN : _____ BEND RAD. : _____ K-FACTOR: _____	DWG. NO. TL15-603832 HALF IN-LS TITLE: TBD	DRAWN BY: MA MODEL BY:	WEIGHT: 1872.57 SCALE: 1:22	DATE: 3/26/2015 SHEET 1 OF 1	REV X
--	--	---	--	---	---------------------------	--------------------------------	---------------------------------	-----------------