

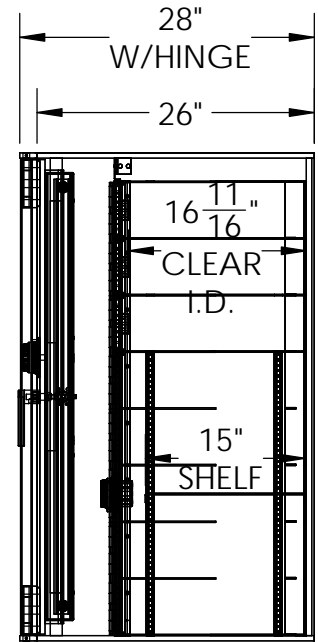
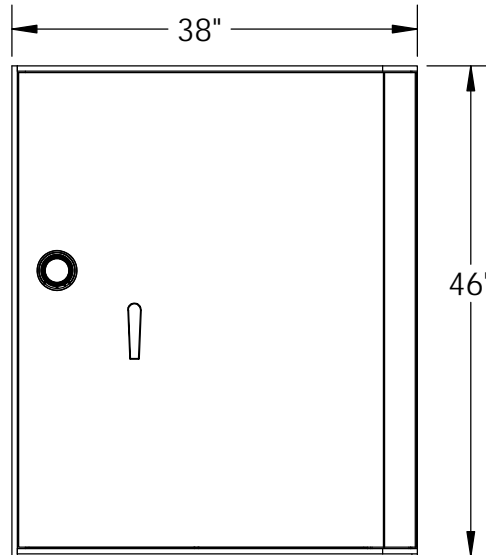
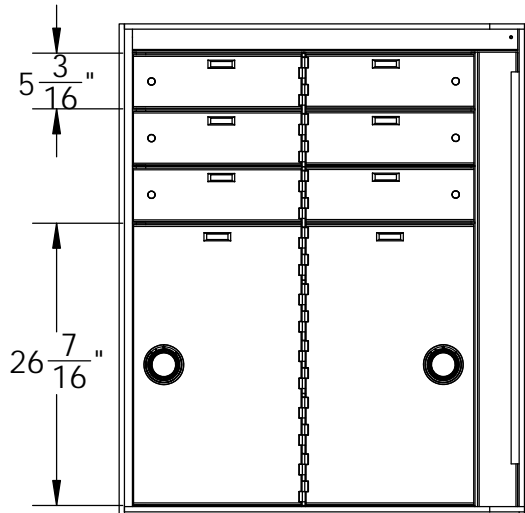
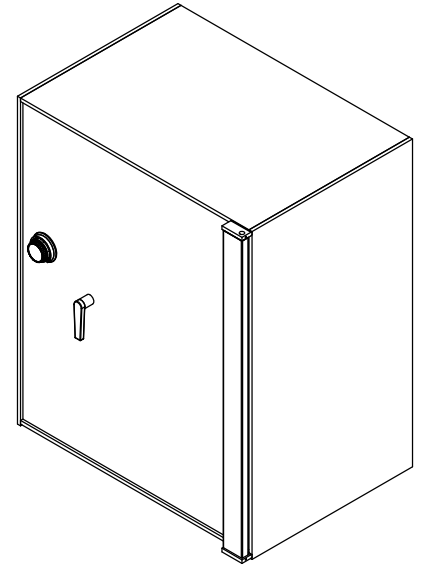
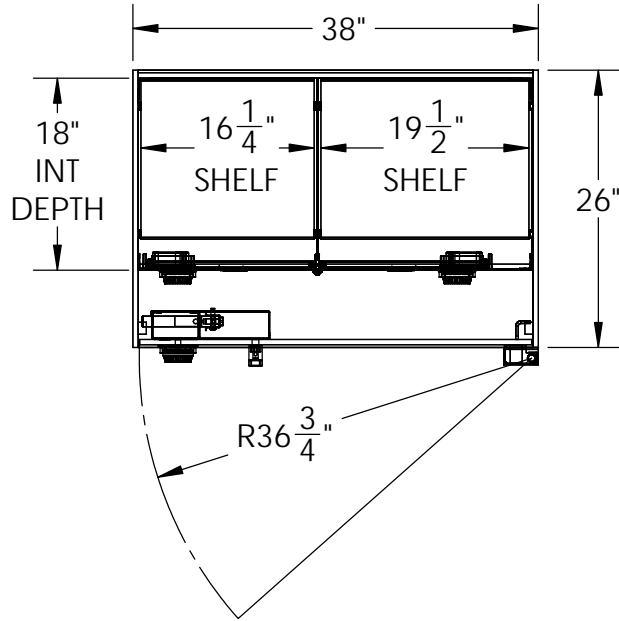
TL15-463626 SAFE WITH INTERIOR
 46"H X 36"W X 26"D
 1/2" STEEL BODY & DOOR
 PAINTED: BLACK
 RIGHT SWING
 S&G MECHANICAL COMBO LOCK

BUILT-IN INTERIOR
 18" DEEP
 PAINTED: BLACK
 GOLD HINGES
 SIX (6) 5" X 16" STEEL PAINTED DOORS
 SINGLE NOSE SDB LOCKS
 TWO (2) 25" X 16" STEEL PAINTED DOORS
 S&G MECHANICAL COMBO LOCKS
 TWO (2) ADJUSTABLE SHELVES
 (ONE PER OPENING)

APPROVED BY: _____

DATE: _____

VAULT STRUCTURES INC REVISIONS			
REV.	DESCRIPTION	DATE	APPROVED



Vault Structures, Inc.
 3640 WORK DRIVE,
 FORT MYERS, FL 33916
 Telephone: 239-332-3270
 Fax: 239-332-5593

PROPRIETARY AND CONFIDENTIAL
 THE INFORMATION CONTAINED IN
 THIS DRAWING IS THE SOLE
 PROPERTY OF VAULT STRUCTURES,
 INC. ANY REPRODUCTION IN PART
 OR AS A WHOLE WITHOUT THE
 WRITTEN PERMISSION OF VAULT
 STRUCTURES, INC IS PROHIBITED.

MATERIAL :
 GAUGE :
 GRAIN :
 BEND RAD. :
 K-FACTOR:

DWG. NO. TL15-463826 HALF IN W-INT
 TITLE: TBD

DRAWN BY: MA
 MODEL BY:

WEIGHT: 1373.97
 SCALE: 1:18

DATE: 3/26/2015
 SHEET 1 OF 1

REV
 X