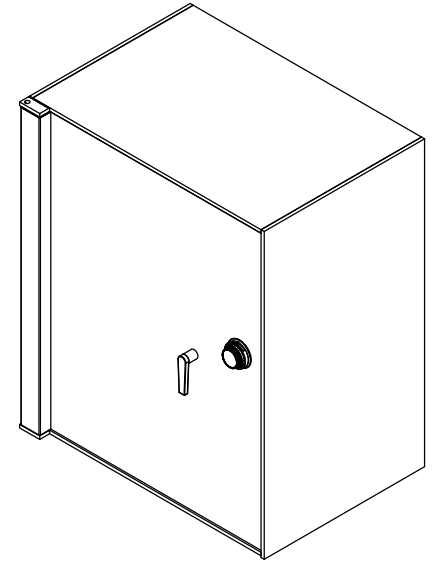
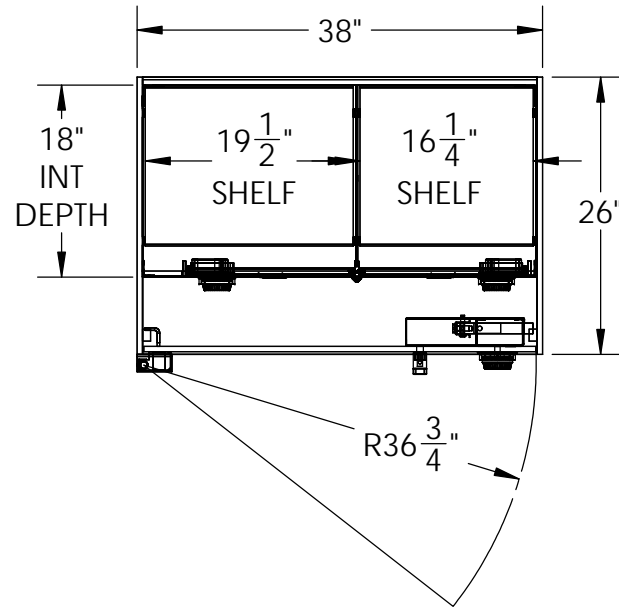


TL15-463624 SAFE WITH INTERIOR  
 46"H X 36"W X 26"D  
 1/2" STEEL BODY & DOOR  
 PAINTED: BLACK  
 LEFT SWING  
 S&G MECHANICAL COMBO LOCK

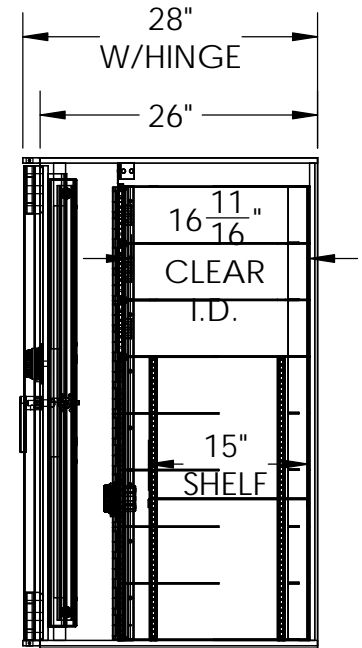
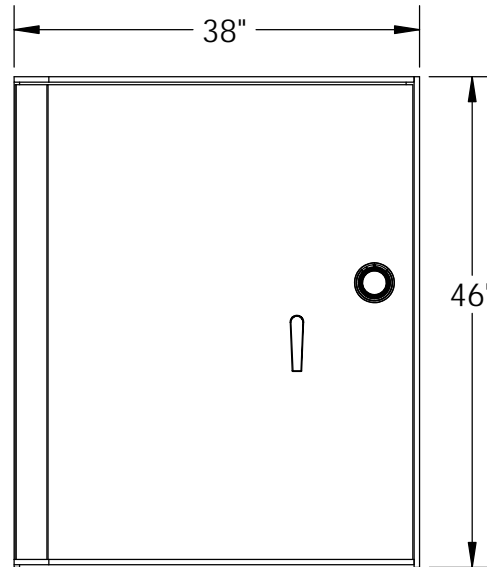
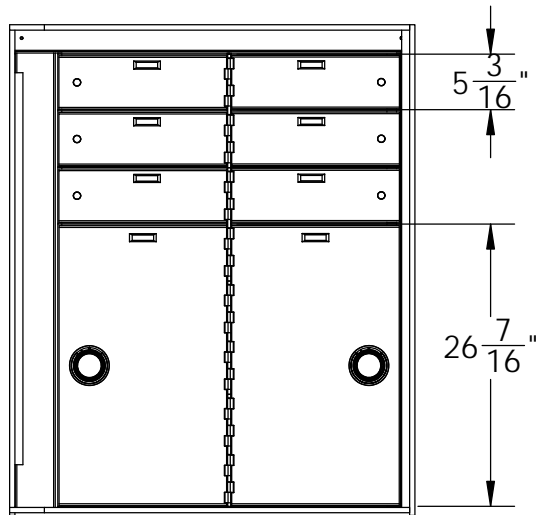
BUILT-IN INTERIOR  
 18" DEEP  
 PAINTED: BLACK  
 GOLD HINGES  
 SIX (6) 5" X 16" STEEL PAINTED DOORS  
 SINGLE NOSE SDB LOCKS  
 TWO (2) 25" X 16" STEEL PAINTED DOORS  
 S&G MECHANICAL COMBO LOCKS  
 TWO (2) ADJUSTABLE SHELVES  
 (ONE PER OPENING)

VAULT STRUCTURES INC REVISIONS			
REV.	DESCRIPTION	DATE	APPROVED



APPROVED BY: \_\_\_\_\_

DATE: \_\_\_\_\_



**Vault Structures, Inc.**  
 3640 WORK DRIVE,  
 FORT MYERS, FL 33916  
 Telephone: 239-332-3270  
 Fax: 239-332-5593

PROPRIETARY AND CONFIDENTIAL  
 THE INFORMATION CONTAINED IN  
 THIS DRAWING IS THE SOLE  
 PROPERTY OF VAULT STRUCTURES,  
 INC. ANY REPRODUCTION IN PART  
 OR AS A WHOLE WITHOUT THE  
 WRITTEN PERMISSION OF VAULT  
 STRUCTURES, INC IS PROHIBITED.

MATERIAL :  
 GAUGE :  
 GRAIN :  
 BEND RAD. :  
 K-FACTOR:

DWG. NO. TL15-463826 HALF IN W-INT  
 LS  
 TITLE: TBD

DRAWN BY: MA  
 MODEL BY:

WEIGHT: 1391.55  
 SCALE: 1:18

DATE: 3/26/2015  
 SHEET 1 OF 1

REV  
 X