

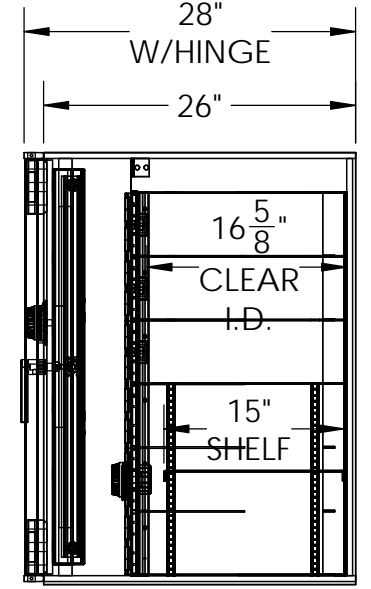
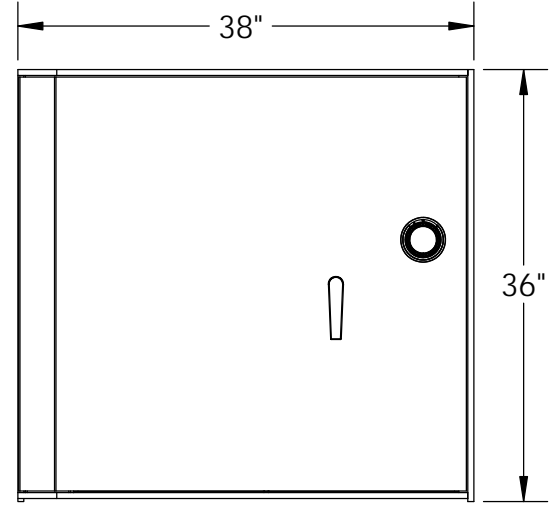
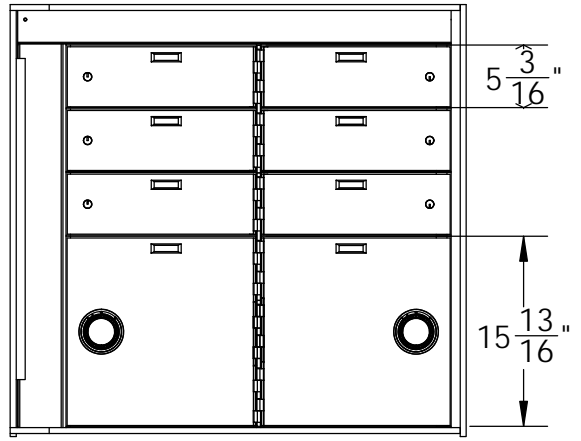
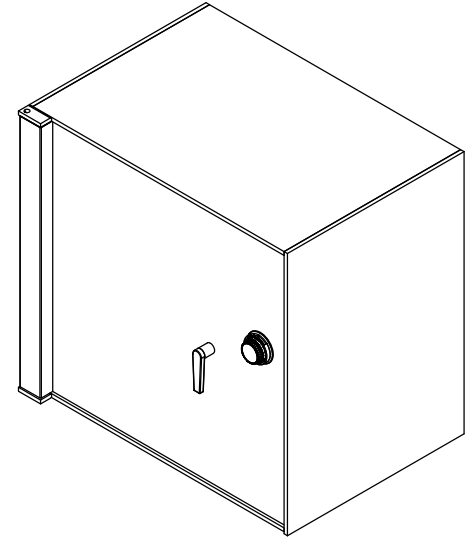
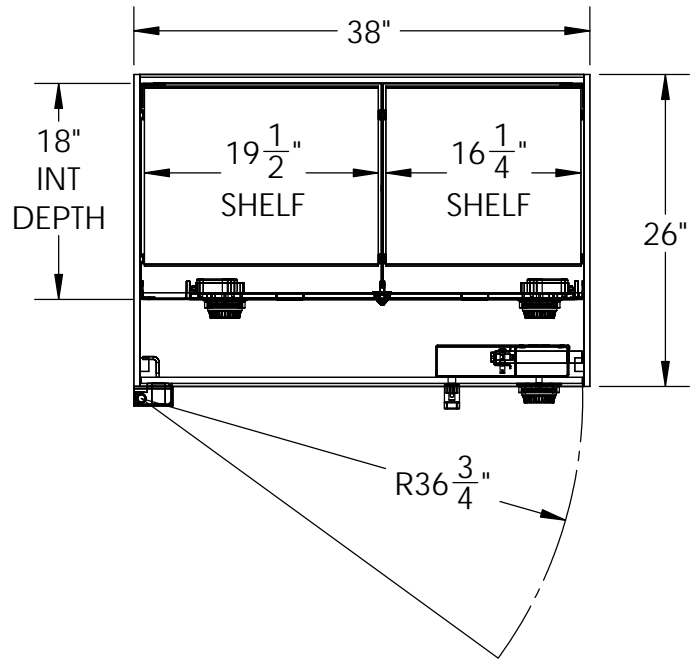
TL15-363826 SAFE WITH INTERIOR  
 36"H X 38"W X 26"D  
 1/2" STEEL BODY & DOOR  
 PAINTED: BLACK  
 LEFT SWING  
 S&G MECHANICAL COMBO LOCK

BUILT-IN INTERIOR  
 18" DEEP  
 PAINTED: BLACK  
 GOLD HINGES  
 SIX (6) 5" X 16" SST CLADDED ALUM DOORS  
 SINGLE NOSE SDB LOCKS  
 TWO (2) 15" X 16" SST CLADDED ALUM DOORS  
 S&G MECHANICAL COMBO LOCKS  
 TWO (2) ADJUSTABLE SHELVES  
 (ONE PER OPENING)

APPROVED BY: \_\_\_\_\_

DATE: \_\_\_\_\_

| VAULT STRUCTURES INC REVISIONS |             |      |          |
|--------------------------------|-------------|------|----------|
| REV.                           | DESCRIPTION | DATE | APPROVED |



**Vault Structures, Inc.**  
 3640 WORK DRIVE,  
 FORT MYERS, FL 33916  
 Telephone: 239-332-3270  
 Fax: 239-332-5593

PROPRIETARY AND CONFIDENTIAL  
 THE INFORMATION CONTAINED IN  
 THIS DRAWING IS THE SOLE  
 PROPERTY OF VAULT STRUCTURES,  
 INC. ANY REPRODUCTION IN PART  
 OR AS A WHOLE WITHOUT THE  
 WRITTEN PERMISSION OF VAULT  
 STRUCTURES, INC IS PROHIBITED.

MATERIAL :  
 GAUGE :  
 GRAIN :  
 BEND RAD. :  
 K-FACTOR:

DWG. NO. TL15-363826 HALF IN LS  
 TITLE: TBD

DRAWN BY: MA  
 MODEL BY:

WEIGHT: 1172.53  
 SCALE: 1:16

DATE: 3/25/2015  
 SHEET 1 OF 1

REV  
 X