

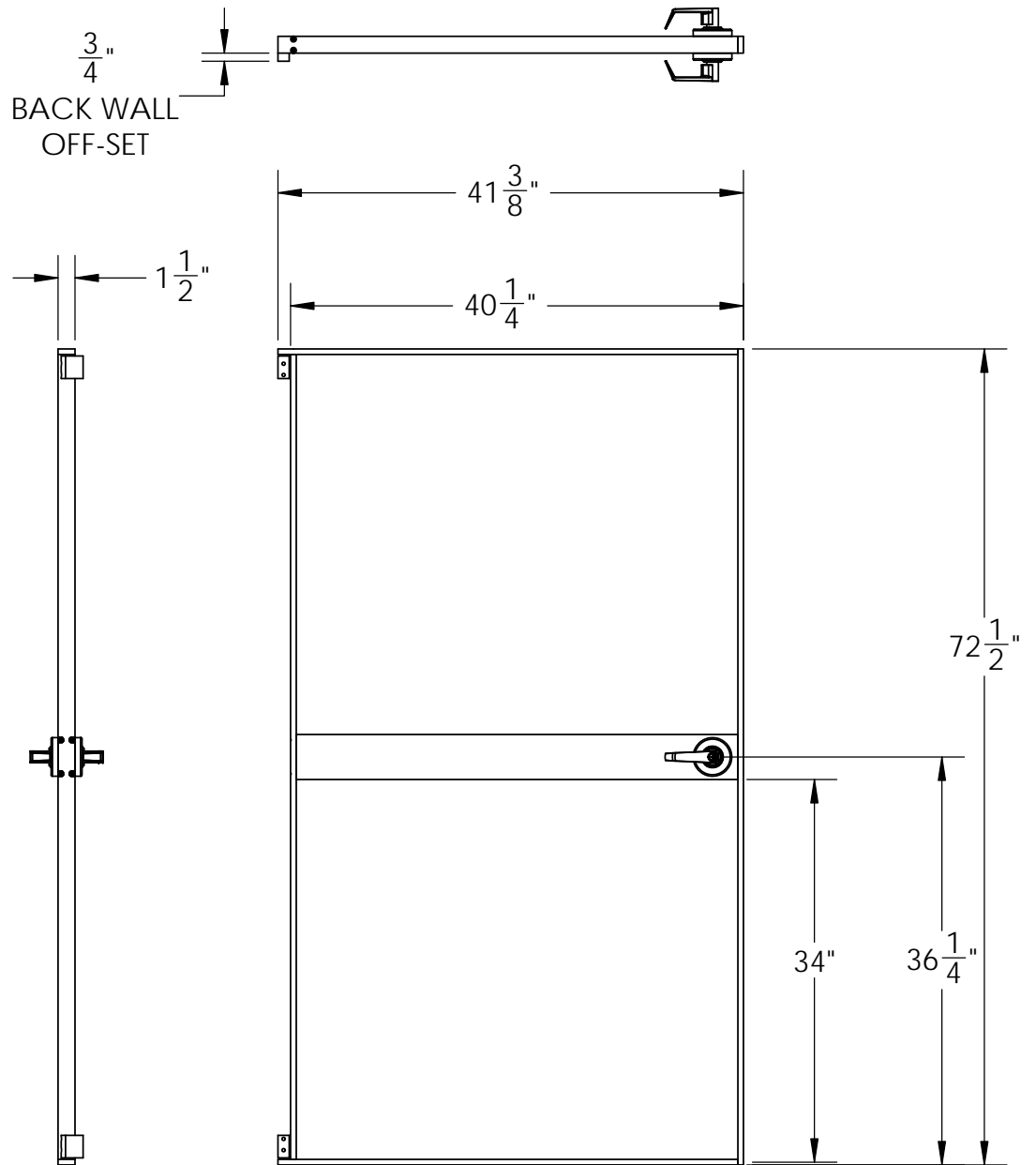
STANDARD ACRYLIC DAY GATE
 LEVER HANDLE KEYED OUTSIDE
 LEVER HANDLE THUMB LATCH INSIDE
 ADA COMPLIANT

CONSTRUCTION:

FRAME 1-1/2" X 1/2" ALUMINUM BAR
 SOLID CENTER BAR 4" X 1-1/2" ALUM.
 FINISH IS BRUSHED ALUMINUM
 FULL TWO PANEL 1/4" ACRYLIC
 HINGE - DOUBLE HINGE PIN DESIGN,
 WITH BUSHINGS

OPTIONAL:

MECHANICAL CLOSER
 DOOR STRIKE
 SMOKED ACRYLIC



Vault Structures, Inc.
 3640 WORK DRIVE,
 FORT MYERS, FL 33916.
 Telephone: 239-332-3270
 Fax: 239-332-5593

PROPRIETARY AND CONFIDENTIAL
 THE INFORMATION CONTAINED IN
 THIS DRAWING IS THE SOLE
 PROPERTY OF VAULT STRUCTURES,
 INC. ANY REPRODUCTION IN PART
 OR AS A WHOLE WITHOUT THE
 WRITTEN PERMISSION OF VAULT
 STRUCTURES, INC IS PROHIBITED.

MATERIAL :
 GAUGE :
 GRAIN :
 BEND RAD. :
 K-FACTOR:

DWG. NO. Standard Gate

TITLE:

DRAWN BY: SAC

MODEL BY:

WEIGHT:60.00

SCALE: 1:16

DATE: 6/27/2011

SHEET 1 OF 1

REV

X