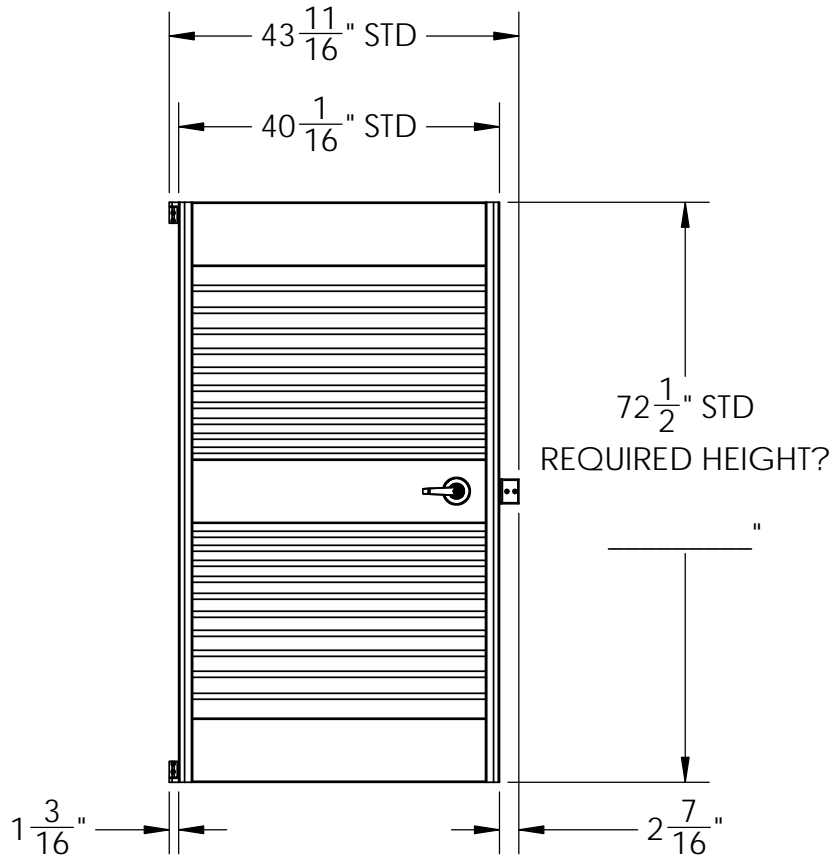
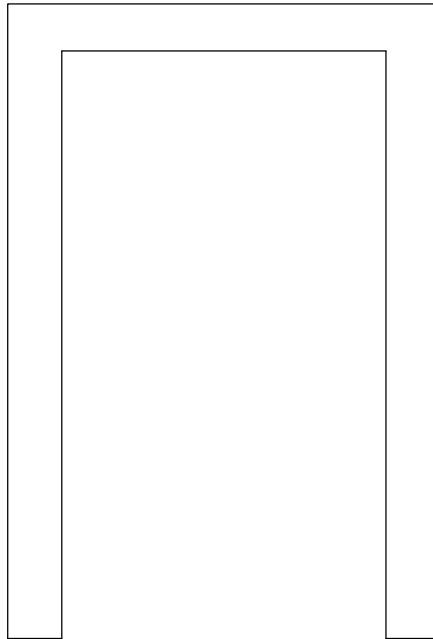
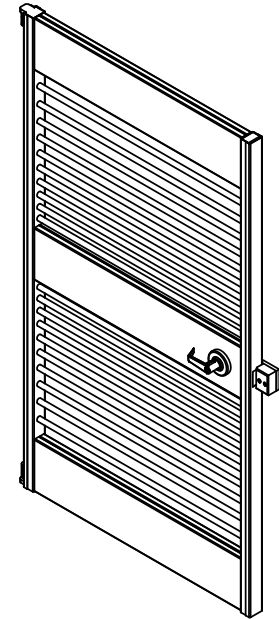
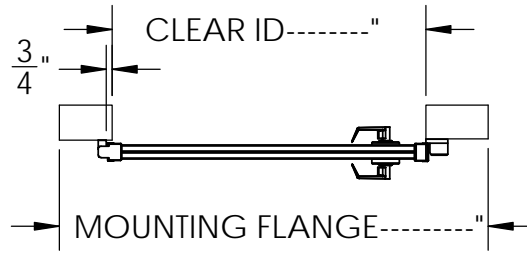


VSI ROD DAYGATE
 STAINLESS STEEL FINISH
 STD WEIGHT 125 LBS
 CRATED WEIGHT 175 LBS



Vault Structures, Inc.
 3640 WORK DRIVE,
 FORT MYERS, FL 33916
 Telephone: 239-332-3270
 Fax: 239-332-5593

PROPRIETARY AND CONFIDENTIAL
 THE INFORMATION CONTAINED IN
 THIS DRAWING IS THE SOLE
 PROPERTY OF VAULT STRUCTURES,
 INC. ANY REPRODUCTION IN PART
 OR AS A WHOLE WITHOUT THE
 WRITTEN PERMISSION OF VAULT
 STRUCTURES, INC IS PROHIBITED.

MATERIAL : Material <not
 specified>
 GAUGE :
 GRAIN :
 BEND RAD. :
 K-FACTOR:

DWG. NO. BAR DAYGATE STD 72.5
 TITLE: FORM

DRAWN BY: XXX
 MODEL BY:

WEIGHT: 113.26
 SCALE: 1:24

DATE: 2/27/2013
 SHEET 1 OF 1

REV
 X