

# STANDARD

**NML-8 LOCKER**  
 21 5/8 H X 32-5/8 W X 24 D  
 CASE PAINTED BLACK  
 PAINTED STEEL DOORS  
 GOLD HINGES (OPTIONAL: BLACK)  
 SINGLE NOSE LOCKS

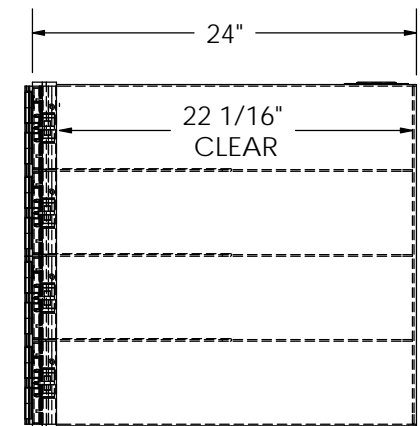
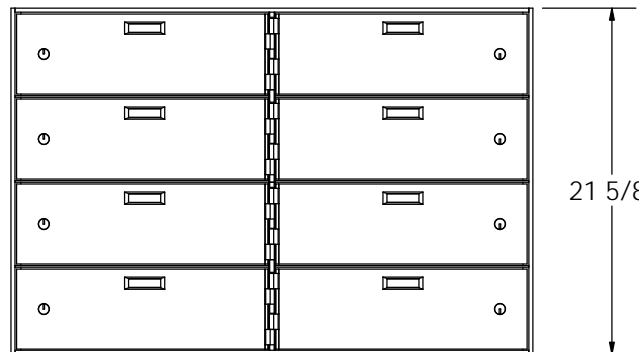
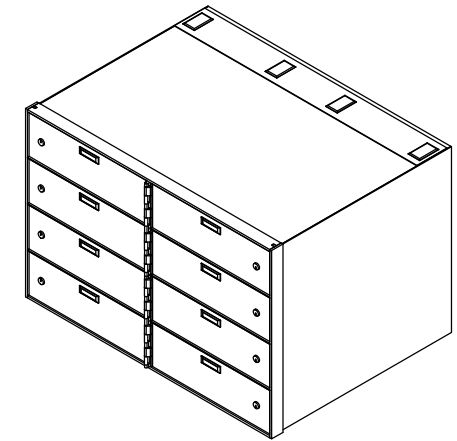
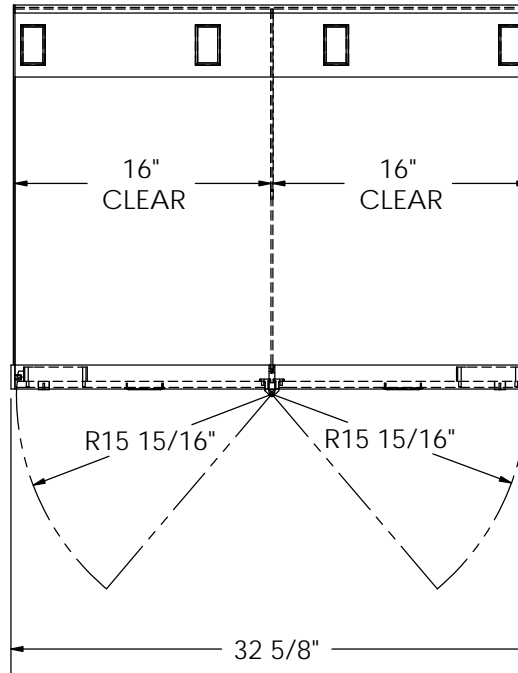
**AVAILABLE DOOR OPTIONS:**  
 BRUSHED ALUMINUM DOORS  
 SST ALUM CLAD DOORS

**APPROVED BY:** \_\_\_\_\_

**DATE:** \_\_\_\_\_

**NUMBERING:** \_\_\_\_\_

VAULT STRUCTURES INC REVISIONS			
REV.	DESCRIPTION	DATE	APPROVED



**Vault Structures, Inc.**  
 3640 WORK DRIVE,  
 FORT MYERS, FL 33916,  
 Telephone: 239-332-3270  
 Fax: 239-332-5593

**PROPRIETARY AND CONFIDENTIAL**  
 THE INFORMATION CONTAINED IN  
 THIS DRAWING IS THE SOLE  
 PROPERTY OF VAULT STRUCTURES,  
 INC. ANY REPRODUCTION IN PART  
 OR AS A WHOLE WITHOUT THE  
 WRITTEN PERMISSION OF VAULT  
 STRUCTURES, INC IS PROHIBITED.

MATERIAL :  
 GAUGE :  
 GRAIN :  
 BEND RAD. :  
 K-FACTOR:

DWG. NO. NML-8 PT-5 SN-SDB  
 TITLE: NML-8

DRAWN BY: XXX  
 MODEL BY:

WEIGHT: 224.59  
 SCALE: 1:12

DATE: 6/6/2011  
 SHEET 1 OF 1

REV  
**X**