

# STANDARD

**NML - 6 LOCKER**  
**16 5/16" H X 32 5/8" W X 24"D**  
**SIX (6) 5" X 16" DOORS**  
**CASE PAINTED BLACK**  
**PAINTED STEEL DOORS**  
**GOLD HINGES (OPTIONAL: BLACK)**  
**SINGLE NOSE LOCKS**

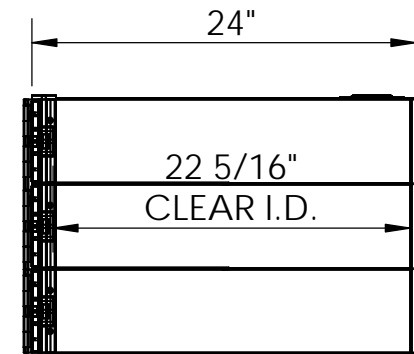
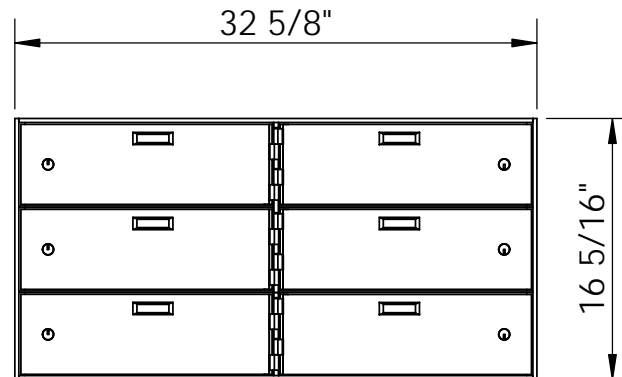
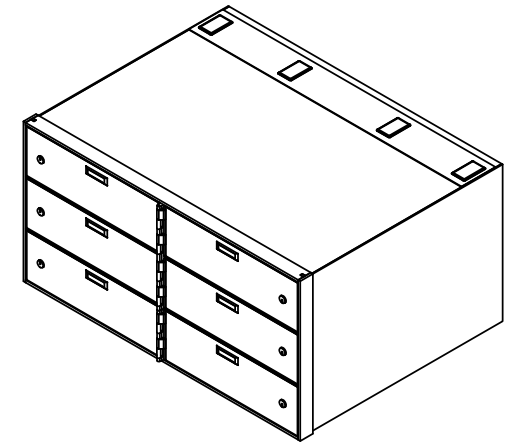
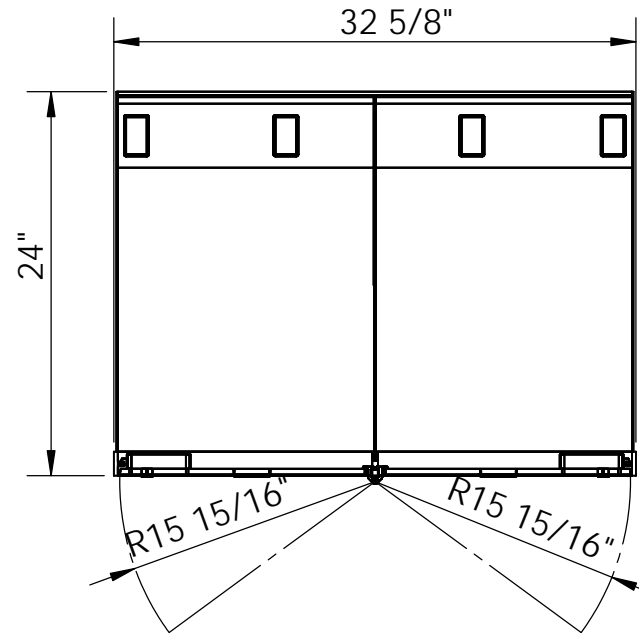
AVAILABLE DOOR OPTIONS:

BRUSHED ALUMINUM DOORS  
 SST ALUM CLAD DOORS

APPROVED BY: \_\_\_\_\_

DATE: \_\_\_\_\_

NUMBERING: \_\_\_\_\_



**Vault Structures, Inc.**  
 3640 WORK DRIVE,  
 FORT MYERS, FL 33916  
 Telephone: 239-332-3270  
 Fax: 239-332-5593

**PROPRIETARY AND CONFIDENTIAL**  
 THE INFORMATION CONTAINED IN  
 THIS DRAWING IS THE SOLE  
 PROPERTY OF VAULT STRUCTURES,  
 INC. ANY REPRODUCTION IN PART  
 OR AS A WHOLE WITHOUT THE  
 WRITTEN PERMISSION OF VAULT  
 STRUCTURES, INC IS PROHIBITED.

MATERIAL :  
 GAUGE :  
 GRAIN :  
 BEND RAD. :  
 K-FACTOR :

DWG. NO. NML-6 NPT-5-SN-SDB  
 16.3125H X 32.625W X  
 TITLE: 24.00D

DRAWN BY: XXX  
 MODEL BY: RS

WEIGHT: 169.90  
 SCALE: 1:12

DATE: 6/16/2014  
 SHEET 1 OF 1

REV  
**X**