

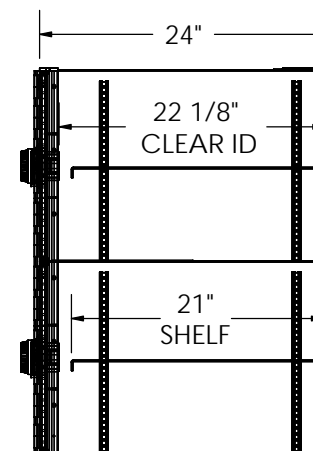
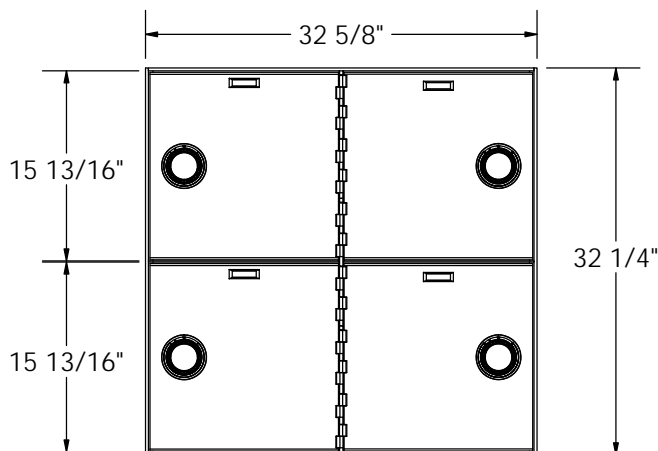
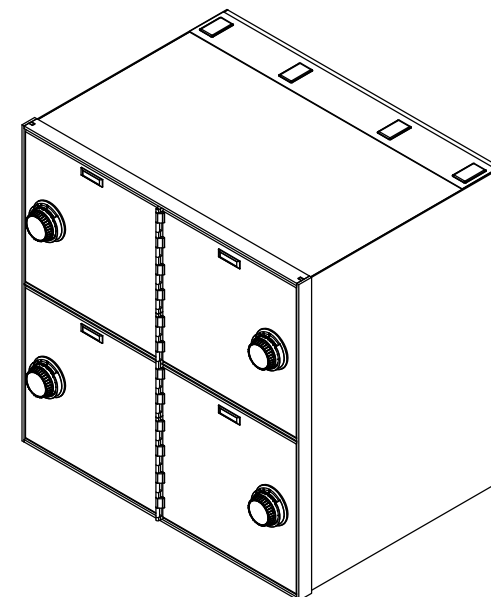
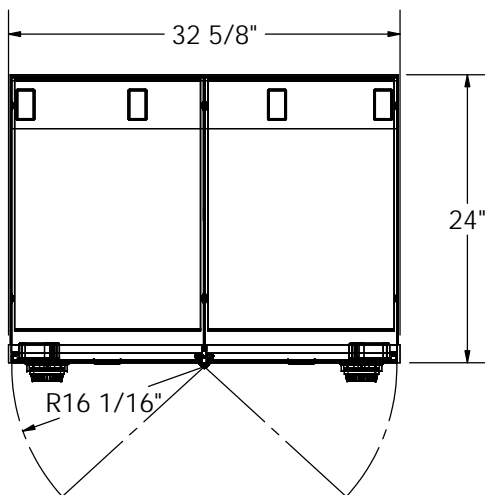
NML 4-33 LOCKER
32 1/4"H X 32 5/8"W X 24"D
CASE PAINTED BLACK
PAINTED STEEL DOORS
GOLD HINGES (OPTIONAL: BLACK)
S&G COMBO LOCKS
(4) FOUR ADJUSTABLE SHELVES
(ONE PER OPENING)

AVAILABLE OPTIONS:
BRUSHED ALUMINUM DOORS
SST CLAD ALUM DOORS

APPROVED BY: _____

DATE: _____

VAULT STRUCTURES INC REVISIONS			
REV.	DESCRIPTION	DATE	APPROVED



Vault Structures, Inc.

3640 WORK DRIVE,
 FORT MYERS, FL 33916,
 Telephone: 239-332-3270
 Fax: 239-332-5593

PROPRIETARY AND CONFIDENTIAL
 THE INFORMATION CONTAINED IN
 THIS DRAWING IS THE SOLE
 PROPERTY OF VAULT STRUCTURES,
 INC. ANY REPRODUCTION IN PART
 OR AS A WHOLE WITHOUT THE
 WRITTEN PERMISSION OF VAULT
 STRUCTURES, INC IS PROHIBITED.

MATERIAL :
 GAUGE :
 GRAIN :
 BEND RAD. :
 K-FACTOR:

DWG. NO. NML-4-33 TYPE II

TITLE: 7302 GUA

DRAWN BY: SAC

MODEL BY: SAC

WEIGHT: 268.32

SCALE: 1:16

DATE: 1/5/2015

SHEET 1 OF 5

REV

X