

# STANDARD

**NML -2 LOCKER**  
**5 11/16"H X 32 5/8"W X 24"D**  
**TWO (2) 5" X 16" DOORS**  
**CASE PAINTED BLACK**  
**PAINTED STEEL DOORS**  
**GOLD HINGES (OPTIONAL: BLACK)**  
**SINGLE NOSE LOCKS**

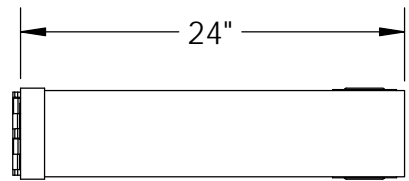
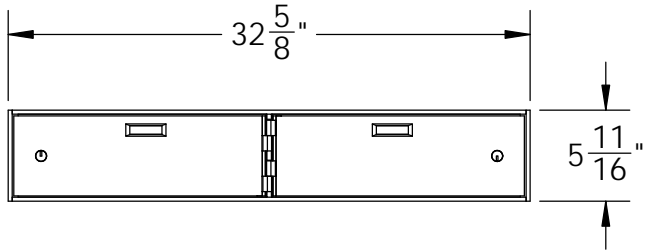
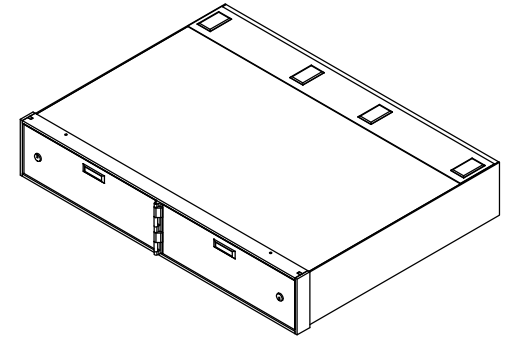
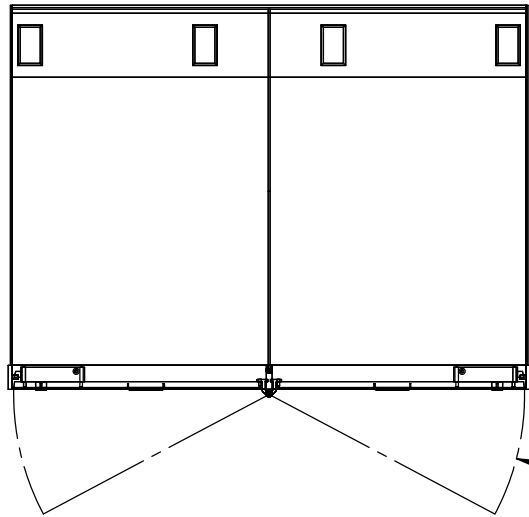
**AVAILABLE DOOR OPTIONS:**  
**BRUSHED ALUMINUM DOORS**  
**SST ALUM CLAD DOORS**

**APPROVED BY:** \_\_\_\_\_

**DATE:** \_\_\_\_\_

**NUMBERING:** \_\_\_\_\_

VAULT STRUCTURES INC REVISIONS			
REV.	DESCRIPTION	DATE	APPROVED



**Vault Structures, Inc.**  
 3640 WORK DRIVE,  
 FORT MYERS, FL 33916,  
 Telephone: 239-332-3270  
 Fax: 239-332-5593

**PROPRIETARY AND CONFIDENTIAL**  
 THE INFORMATION CONTAINED IN  
 THIS DRAWING IS THE SOLE  
 PROPERTY OF VAULT STRUCTURES,  
 INC. ANY REPRODUCTION IN PART  
 OR AS A WHOLE WITHOUT THE  
 WRITTEN PERMISSION OF VAULT  
 STRUCTURES, INC IS PROHIBITED.

MATERIAL : \_\_\_\_\_  
 GAUGE : \_\_\_\_\_  
 GRAIN : \_\_\_\_\_  
 BEND RAD. : \_\_\_\_\_  
 K-FACTOR: \_\_\_\_\_

DWG. NO. NML-2-5 LOCKER  
 TITLE: TBD

DRAWN BY: SAC  
 MODEL BY: \_\_\_\_\_

WEIGHT: 83.53  
 SCALE: 1:12

DATE: 2/12/2014  
 SHEET 1 OF 3

REV  
**X**