

REV.	DESCRIPTION	DATE	APPROVED
------	-------------	------	----------

STANDARD

NML-10 LOCKER
 32 5/8" W X 26 15/16" H X 24" D
 CASE PAINTED BLACK
 PAINTED STEEL DOORS
 GOLD HINGES (OPTIONAL: BLACK)
 SINGLE NOSE LOCKS

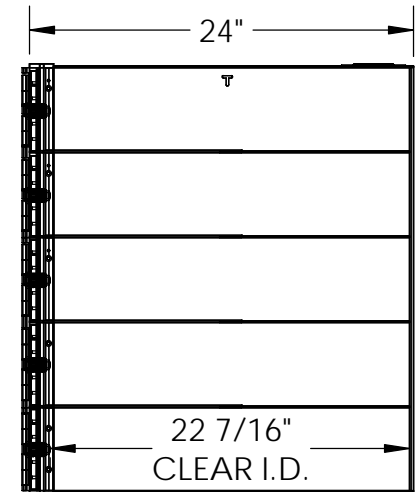
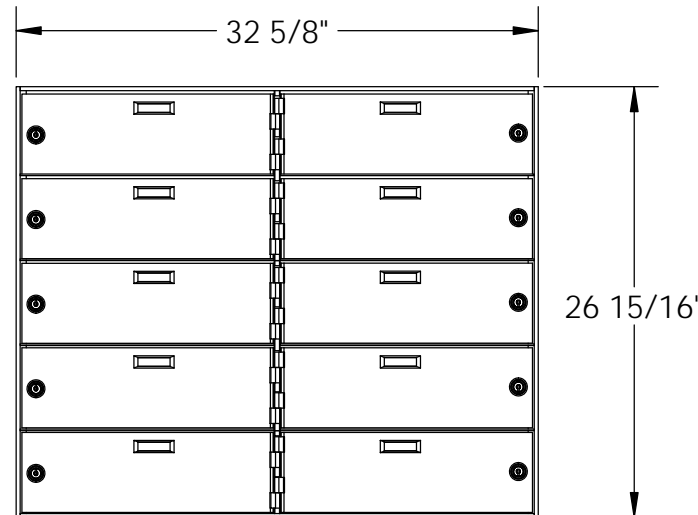
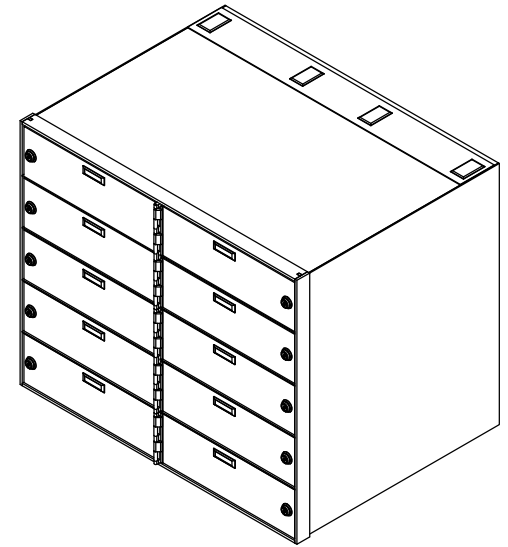
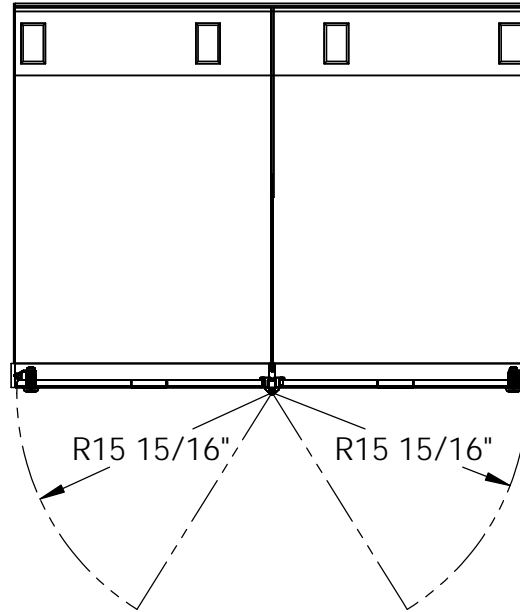
AVAILABLE DOOR OPTIONS:

BRUSHED ALUMINUM DOORS
 SST ALUM CLAD DOORS

APPROVED BY: _____

DATE: _____

NUMBERING: _____



Vault Structures, Inc.
 3640 WORK DRIVE,
 FORT MYERS, FL 33916,
 Telephone: 239-332-3270
 Fax: 239-332-5593

PROPRIETARY AND CONFIDENTIAL
 THE INFORMATION CONTAINED IN
 THIS DRAWING IS THE SOLE
 PROPERTY OF VAULT STRUCTURES,
 INC. ANY REPRODUCTION IN PART
 OR AS A WHOLE WITHOUT THE
 WRITTEN PERMISSION OF VAULT
 STRUCTURES, INC IS PROHIBITED.

MATERIAL :
 GAUGE :
 GRAIN :
 BEND RAD. :
 K-FACTOR:

DWG. NO. NML-10-26.938 H PROD
 TITLE: JOB # TBD.

DRAWN BY: SAC
 MODEL BY: SAC

WEIGHT: 253.90
 SCALE: 1:12

DATE: 8/8/2011
 SHEET 1 OF 6

REV
X