

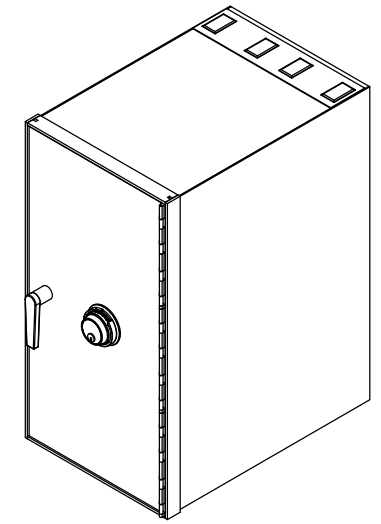
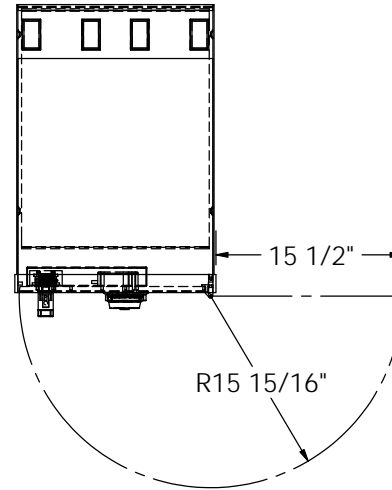
REV.	DESCRIPTION	DATE	APPROVED
------	-------------	------	----------

# STANDARD

**NML 1-33 LOCKER**  
**16 3/4W X 32 1/4H X 24.00D**  
**CASE PAINTED BLACK**  
**PAINTED STEEL DOOR WITH BOLT-WORK**  
**S&G COMBO LOCK**  
**TWO (2) ADJUSTABLE SHELVES**

**AVAILABLE OPTIONS:**

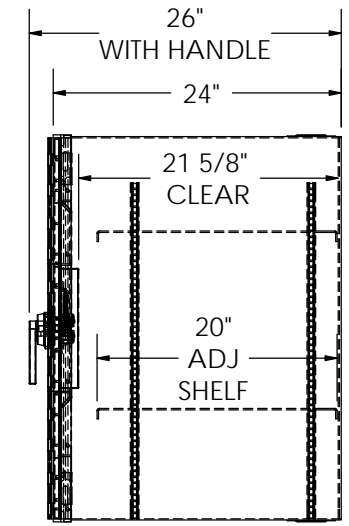
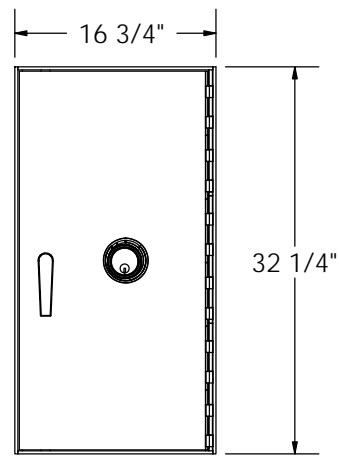
**BRUSHED ALUMINUM DOORS**  
**SST CLAD ALUM DOORS**



**APPROVED BY:** \_\_\_\_\_

**DATE:** \_\_\_\_\_

**NUMBERING:** \_\_\_\_\_



**Vault Structures, Inc.**  
 3640 WORK DRIVE,  
 FORT MYERS, FL 33916  
 Telephone: 239-332-3270  
 Fax: 239-332-5593

**PROPRIETARY AND CONFIDENTIAL**  
 THE INFORMATION CONTAINED IN THIS DRAWING IS THE SOLE PROPERTY OF VAULT STRUCTURES, INC. ANY REPRODUCTION IN PART OR AS A WHOLE WITHOUT THE WRITTEN PERMISSION OF VAULT STRUCTURES, INC IS PROHIBITED.

**MATERIAL :**  
**GAUGE :**  
**GRAIN :**  
**BEND RAD. :**  
**K-FACTOR:**

**DWG. NO. NML 1-33-RS APPROVAL**  
**TITLE: TBD**

**DRAWN BY: SAC**  
**MODEL BY:**

**WEIGHT: 142.11**  
**SCALE: 1:16**

**DATE: 5/13/2011**  
**SHEET 1 OF 3**

**REV**  
**X**