

STANDARD

NML-1-16 LOCKER
 16 5/16"H X 16 3/4" W X 24" D
 CASE PAINTED BLACK
 PAINTED STEEL DOORS
 GOLD HINGES (OPTIONAL: BLACK)
 S & G COMBO LOCK
 ONE (1) ADJUSTABLE SHELF

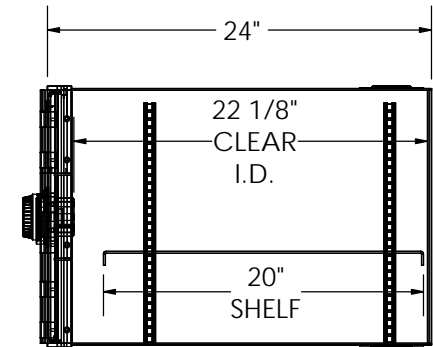
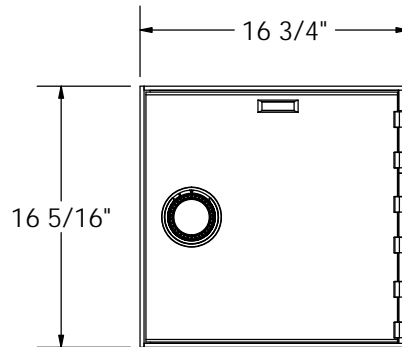
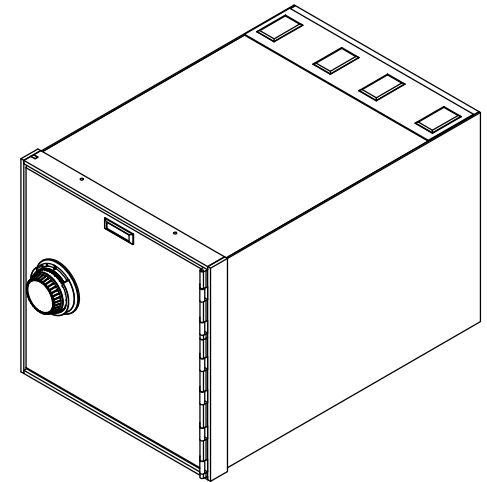
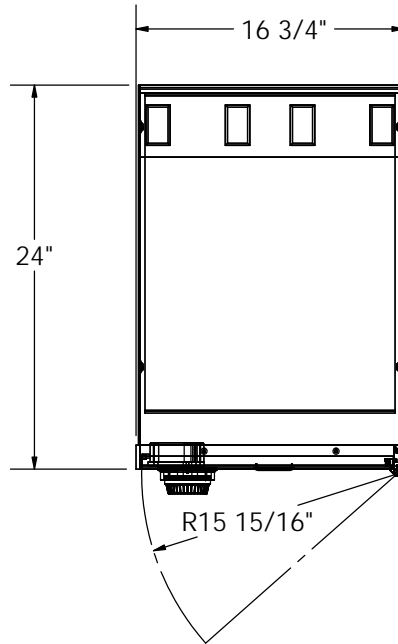
AVAILABLE DOOR OPTIONS:
 BRUSHED ALUMINUM DOORS
 SST CLAD ALUM DOORS

APPROVED BY: _____

DATE: _____

NUMBERING: _____

VAULT STRUCTURES INC REVISIONS			
REV.	DESCRIPTION	DATE	APPROVED



Vault Structures, Inc.
 3640 WORK DRIVE,
 FORT MYERS, FL 33916
 Telephone: 239-332-3270
 Fax: 239-332-5593

PROPRIETARY AND CONFIDENTIAL
 THE INFORMATION CONTAINED IN THIS DRAWING IS THE SOLE PROPERTY OF VAULT STRUCTURES, INC. ANY REPRODUCTION IN PART OR AS A WHOLE WITHOUT THE WRITTEN PERMISSION OF VAULT STRUCTURES, INC IS PROHIBITED.

MATERIAL :
 GAUGE :
 GRAIN :
 BEND RAD. :
 K-FACTOR:

DWG. NO. NML-1-16
 TITLE: TBD

DRAWN BY: XXX
 MODEL BY:

WEIGHT: 84.36
 SCALE: 1:12

DATE: 6/17/2014
 SHEET 1 OF 1

REV
X