

STANDARD

NML-1-11 LOCKER
 11" H X 16 3/4" W X 24" D
 CASE PAINTED BLACK
 PAINTED STEEL DOORS
 GOLD HINGES (OPTIONAL: BLACK)
 S & G COMBO LOCK

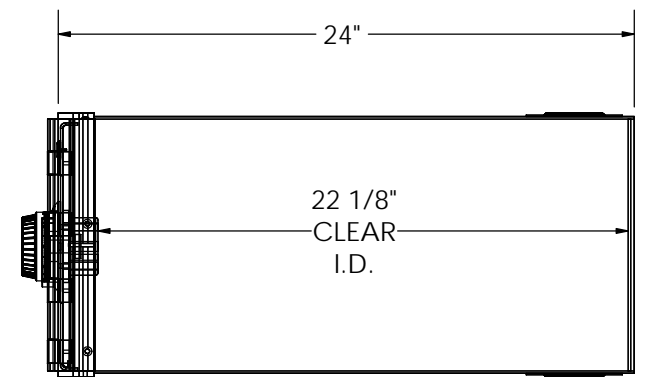
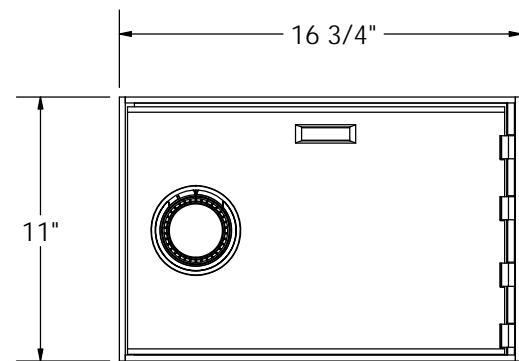
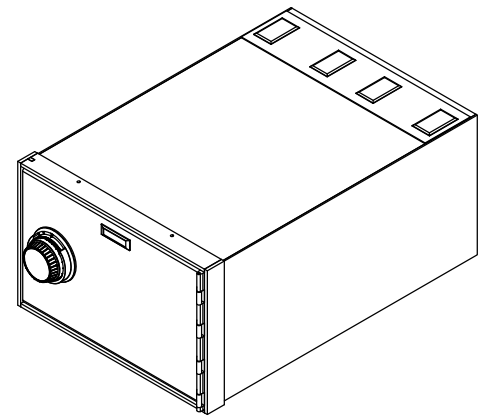
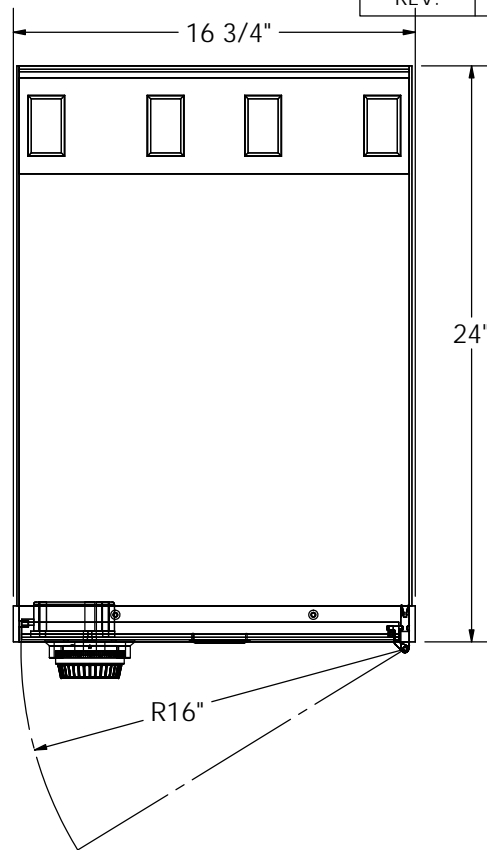
AVAILABLE DOOR OPTIONS:
 BRUSHED ALUMINUM DOORS
 SST ALUM CLAD DOORS

APPROVED BY: _____

DATE: _____

NUMBERING: _____

VAULT STRUCTURES INC REVISIONS			
REV.	DESCRIPTION	DATE	APPROVED



Vault Structures, Inc.
 3640 WORK DRIVE,
 FORT MYERS, FL 33916,
 Telephone: 239-332-3270
 Fax: 239-332-5593

PROPRIETARY AND CONFIDENTIAL
 THE INFORMATION CONTAINED IN
 THIS DRAWING IS THE SOLE
 PROPERTY OF VAULT STRUCTURES,
 INC. ANY REPRODUCTION IN PART
 OR AS A WHOLE WITHOUT THE
 WRITTEN PERMISSION OF VAULT
 STRUCTURES, INC IS PROHIBITED.

MATERIAL : _____
 GAUGE : _____
 GRAIN : _____
 BEND RAD. : _____
 K-FACTOR : _____

DWG. NO. NML-1-11
 TITLE: TBD

DRAWN BY: XXX
 MODEL BY: _____

WEIGHT: 59.42
 SCALE: 1:8

DATE: 6/17/2014
 SHEET 1 OF 1

REV
X