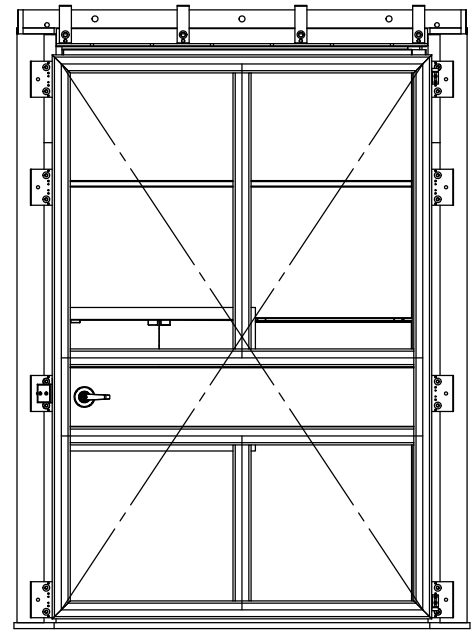
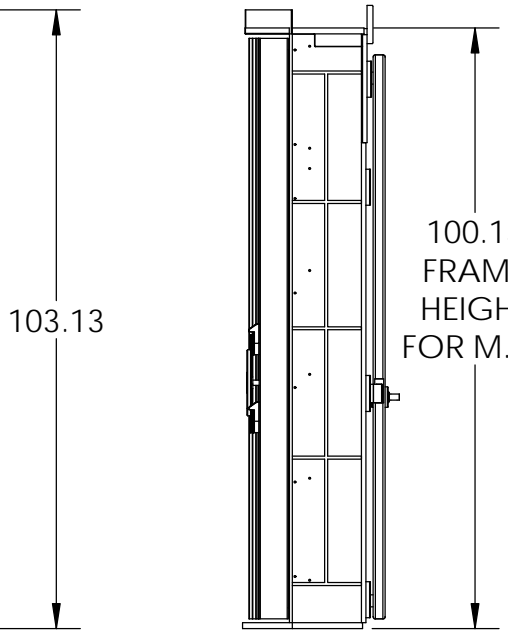
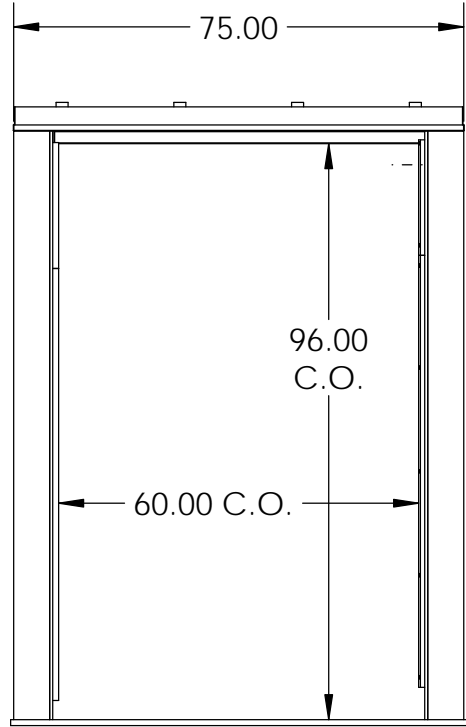
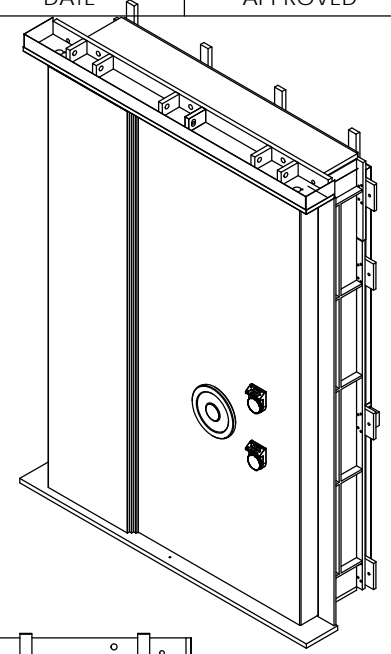
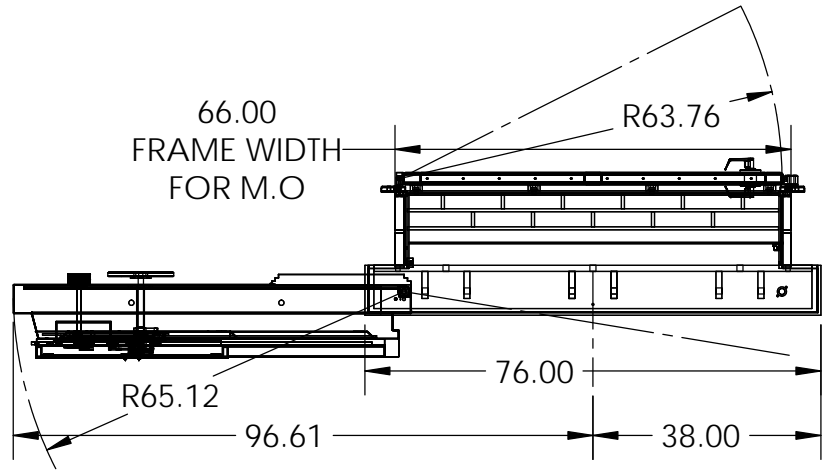


MTO THOR III DOOR
STAINLESS STEEL CLAD
LEFT HAND SWING VAULT DOOR
LEFT SWING-IN DEAD DAY GATE

KABA-MAS 252V ELECTRONIC LOCKS

96" X 60" CLEAR OPENING
102" X 67" MASONRY OPENING

VAULT STRUCTURES INC REVISIONS			
REV.	DESCRIPTION	DATE	APPROVED



Vault Structures, Inc.
 3640 WORK DRIVE,
 FORT MYERS, FL 33916,
 Telephone: 239-332-3270
 Fax: 239-332-5593

PROPRIETARY AND CONFIDENTIAL
 THE INFORMATION CONTAINED IN
 THIS DRAWING IS THE SOLE
 PROPERTY OF VAULT STRUCTURES,
 INC. ANY REPRODUCTION IN PART
 OR AS A WHOLE WITHOUT THE
 WRITTEN PERMISSION OF VAULT
 STRUCTURES, INC IS PROHIBITED.

MATERIAL :
 GAUGE :
 GRAIN :
 BEND RAD. :
 K-FACTOR:

DWG. NO. 101 X 67 MO THOR III MTO
 COVER SHT
 TITLE: 96"H X 60"W CO

DRAWN BY: SAC
 MODEL BY: SAC

WEIGHT: 6701.65
 SCALE: 1:32

DATE: 9/15/2014
 SHEET 1 OF 1

REV
 X