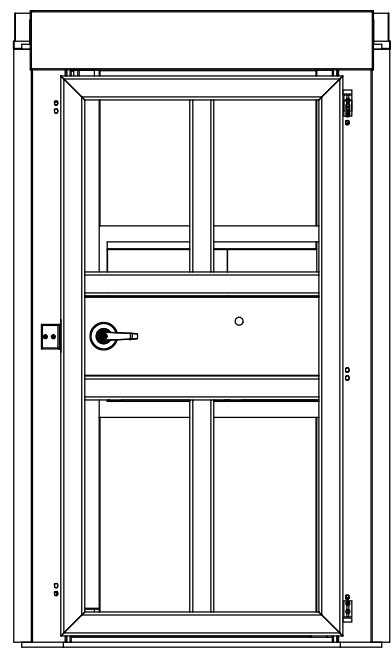
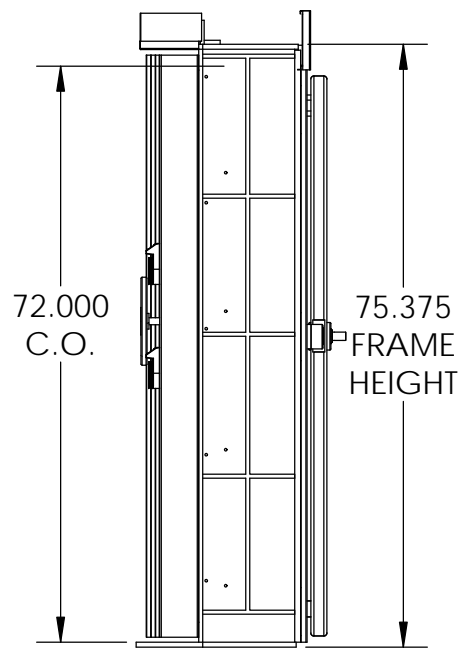
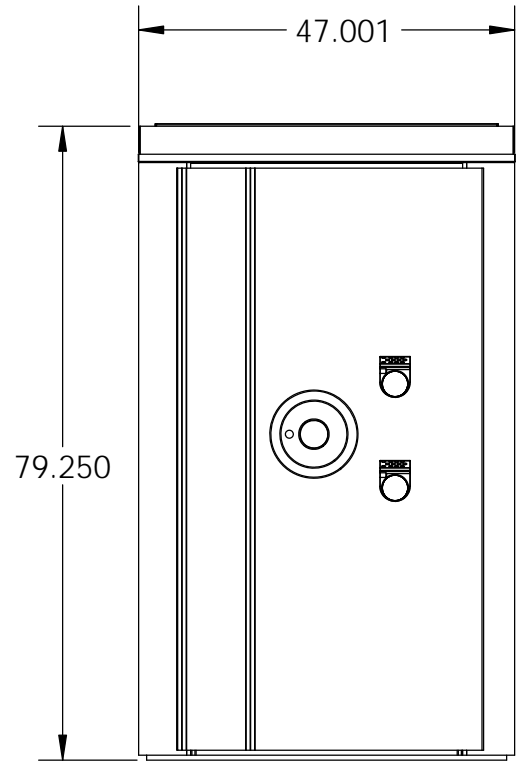
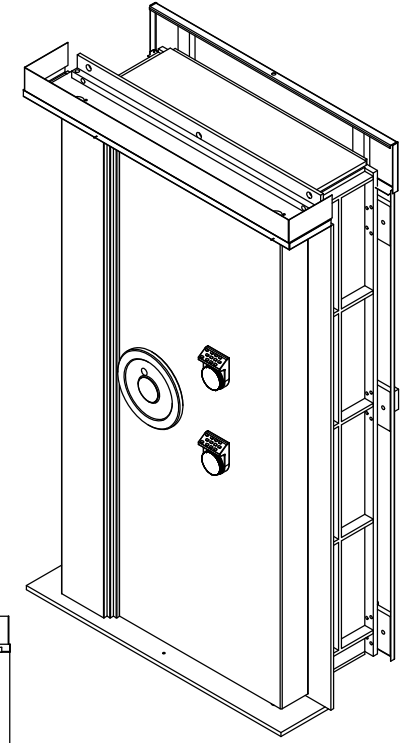
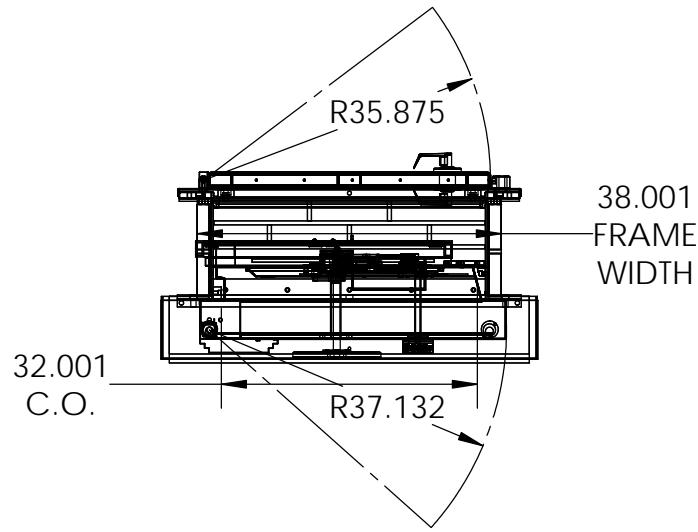


MTO THOR III DOOR
72H X 32W CO
LEFT SWING
DEA MESH DAY GATE LEFT SWING-IN
KM-252 V LOCKS
EMERGENCY RELEASE

VAULT STRUCTURES INC REVISIONS			
REV.	DESCRIPTION	DATE	APPROVED



Vault Structures, Inc.
 3640 WORK DRIVE,
 FORT MYERS, FL 33916,
 Telephone: 239-332-3270
 Fax: 239-332-5593

PROPRIETARY AND CONFIDENTIAL
 THE INFORMATION CONTAINED IN THIS DRAWING IS THE SOLE PROPERTY OF VAULT STRUCTURES, INC. ANY REPRODUCTION IN PART OR AS A WHOLE WITHOUT THE WRITTEN PERMISSION OF VAULT STRUCTURES, INC IS PROHIBITED.

MATERIAL :
 GAUGE :
 GRAIN :
 BEND RAD. :
 K-FACTOR:

DWG. NO. THOR III 77-39 MO - 72-32 CO LS
 TITLE: TBD

DRAWN BY: SAC
 MODEL BY: SAC

WEIGHT: 6,000 LBS
 SCALE: 1:24

DATE: 10/7/2014
 SHEET 1 OF 1

REV
 X