

**ACRYLIC DAY GATE RETRO-FIT**  
**STANDARD VAULT DOOR (78"H X 36"W)**  
**1/2" ACRYLIC PANEL**  
**STAINLESS STEEL CLAMP COVER**  
**ALUMINUM HINGE WALL MOUNT**  
**BRUSHED ALUMINUM HANDLE BLOCK**  
**40-15/16" PIVOT**  
**41-7/16" OVERALL WIDTH**  
**72-1/2" OVERALL HEIGHT**

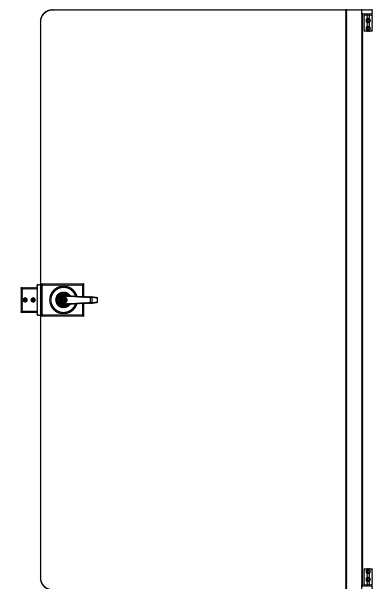
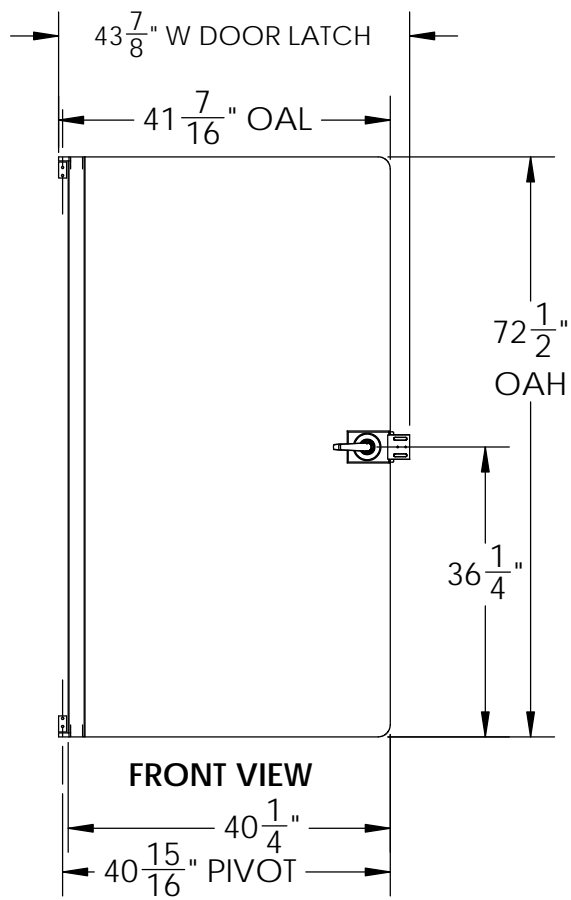
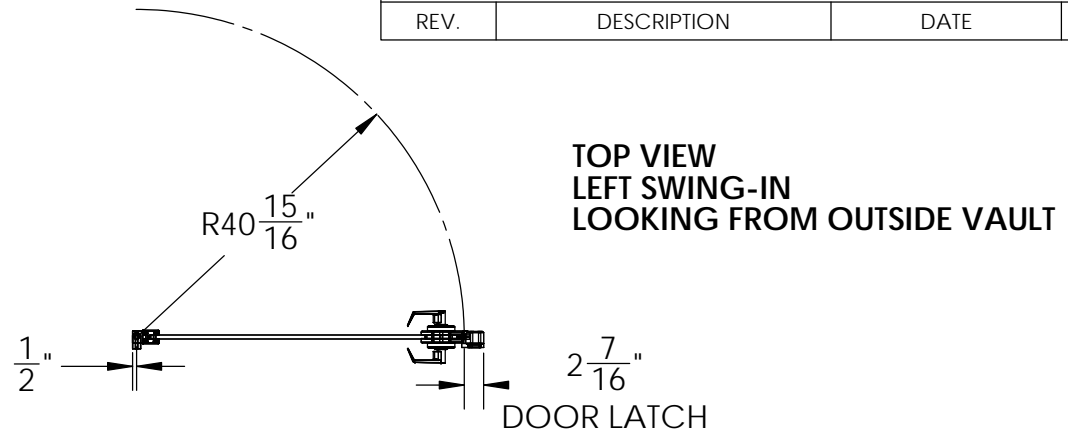
**WEIGHT APPROXIMATELY 85 LBS.**

**APPROVED BY:** \_\_\_\_\_

**DATE:** \_\_\_\_\_

**SWING REQUIRED:** \_\_\_\_\_

VAULT STRUCTURES INC REVISIONS			
REV.	DESCRIPTION	DATE	APPROVED



**Vault Structures, Inc.**  
 3640 WORK DRIVE,  
 FORT MYERS, FL 33916.  
 Telephone: 239-332-3270  
 Fax: 239-332-5593

**PROPRIETARY AND CONFIDENTIAL**  
 THE INFORMATION CONTAINED IN  
 THIS DRAWING IS THE SOLE  
 PROPERTY OF VAULT STRUCTURES,  
 INC. ANY REPRODUCTION IN PART  
 OR AS A WHOLE WITHOUT THE  
 WRITTEN PERMISSION OF VAULT  
 STRUCTURES, INC IS PROHIBITED.

MATERIAL : \_\_\_\_\_  
 GAUGE : \_\_\_\_\_  
 GRAIN : \_\_\_\_\_  
 BEND RAD. : \_\_\_\_\_  
 K-FACTOR: \_\_\_\_\_

DWG. NO: TD RETRO-FIT .5 ACRYLIC  
 DAY GATE 72.5 X 40.25  
 TITLE: TBD

DRAWN BY: SAC  
 MODEL BY: SAC

WEIGHT: 77.95  
 SCALE: 1:24

DATE: 6/19/2013  
 SHEET 1 OF 1

**REV**  
**X**