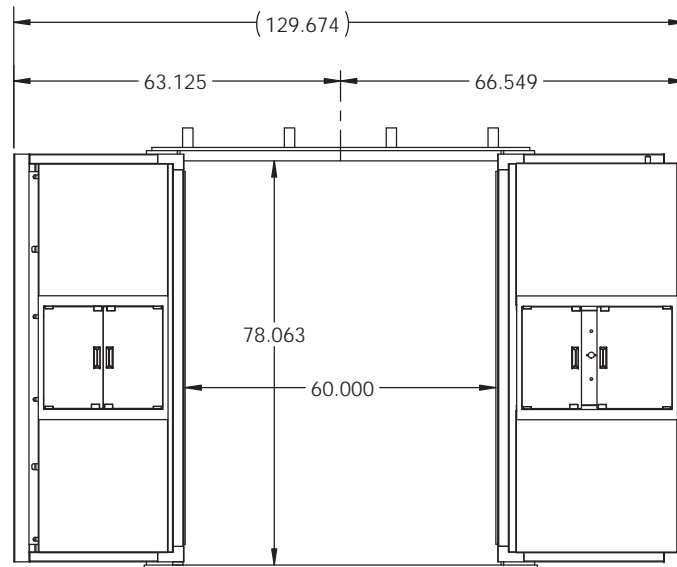
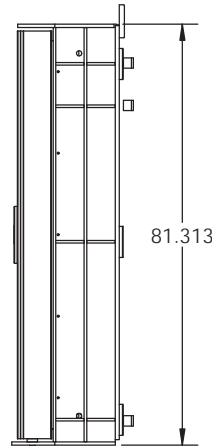
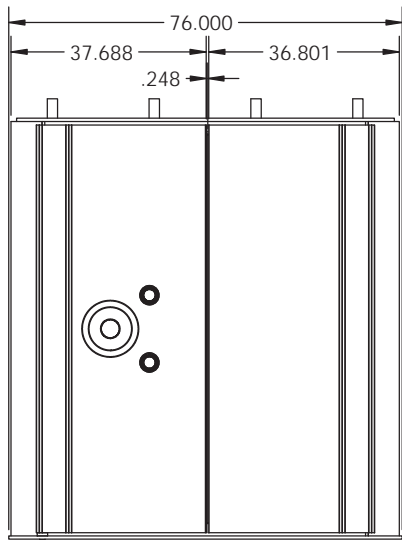
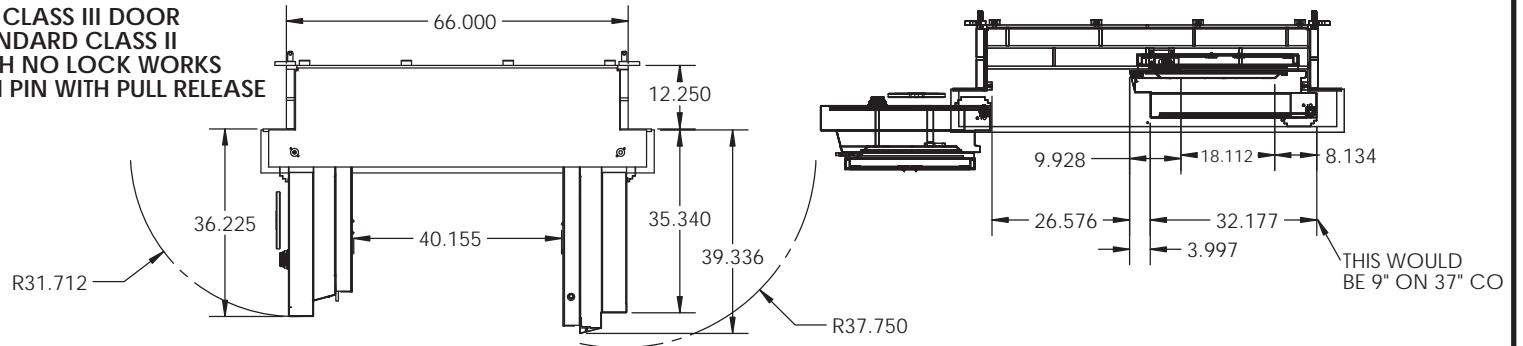


VSI DOUBLE LEAF DOOR

UL CLASS III SPLIT VAULT DOOR (78" HIGH X 60" WIDE SHOWN)
 CLEAR OPENING RANGE
 WIDTH 3 FT TO 16 FT
 HEIGHT 4 FT TO 16 FT

LIVE DOOR IS BUILT AS STANDARD UL CLASS III DOOR
 DEAD SIDE DOOR IS BUILT USING STANDARD CLASS II
 REBAR MATS AND DOOR DESIGN WITH NO LOCK WORKS
 AND ONE (1) SPRING LOADED LATCH PIN WITH PULL RELEASE

REVISIONS				
ZONE	REV.	DESCRIPTION	DATE	APPROVED



Vault Structures, Inc.
 3640 WORK DRIVE
 FORT MYERS, FL 33916
 Telephone: 239-332-3270
 Fax: 239-332-5593

PROPRIETARY AND CONFIDENTIAL
 THE INFORMATION CONTAINED IN
 THIS DRAWING IS THE SOLE
 PROPERTY OF VAULT STRUCTURES,
 INC. ANY REPRODUCTION OR PART
 OR AS A WHOLE WITHOUT THE
 WRITTEN PERMISSION OF VAULT
 STRUCTURES, INC. IS PROHIBITED.

MATERIAL:
 GAUGE:
 GRAIN:
 BEND RAD.:
 K-FACTOR:

DWG. NO.
 TITLE: 9219-MTO SPLIT DOOR-78 X 60 CLEAR

DRAWN BY: SAC DATE: 1/26/15 WEIGHT: 1768.08
 MODEL BY: SAC SCALE: 1:24 SHEET 1 OF 25

REV
 X